



**POOL AND SPA/HOT TUB HEATERS
H150FD, H200FD, H250FD, H300FD,
H350FD & H400FD MODELS**

SERVICE & INSTALLATION MANUAL

FOR YOUR SAFETY

⚠ WARNING: If the information in these instructions is not followed exactly, a fire or explosion may result causing property damage, injury, or death.

- Do not store or use gasoline or other flammable vapors or liquids in the vicinity of this or any other appliance.

WHAT TO DO IF YOU SMELL GAS:

- Do not try to light any appliance.
- Do not touch any electrical switch; do not use any phone in your building.
- Immediately call your gas supplier from a neighbor's phone. Follow the gas supplier's instructions.
- If you cannot reach your gas supplier, call the fire department.
- Installation and service must be performed by a qualified installer, service agency, or the gas supplier.







FOR YOUR SAFETY

This product must be installed and serviced by authorized personnel, qualified in pool/spa heater installation. Improper installation and/or operation can create carbon monoxide gas and flue gases that can cause serious injury, property damage, or death.

| | | | |
|---|-----------|--|-----------|
| Section I General information | 7 | Section IV Technician Service | 40 |
| Introduction | 7 | General | 40 |
| Warranty | 7 | Maintenance | 40 |
| Maintaining proper water chemistry | 7 | Control access | 40 |
| Section II Installation | 9 | Heat exchanger inspection | 41 |
| Equipment inspection | 9 | Combustion chamber | 41 |
| Important notice | 9 | Heat exchanger removal | 41 |
| Conformance with codes | 9 | Burner inspection | 42 |
| Altitude of installation | 9 | Burner removal | 42 |
| Uncrating the heater | 11 | Burner installation | 43 |
| Locating the heater..... | 11 | Gas valve replacement | 43 |
| Flooring | 12 | Igniter | 44 |
| Tie-Down Brackets | 12 | Flame sensor | 44 |
| Indoor Installation and Venting | 13 | Burner orifices | 44 |
| Clearances | 13 | Gas conversion | 45 |
| Air Supply | 13 | Control locations | 45 |
| Vertical Venting..... | 15 | Electrical wiring | 45 |
| Horizontal or Vertical Venting | 16 | Ignition control board | 46 |
| Vent Kit Installation..... | 18 | Display board and keypad | 46 |
| Reversible water connections | 20 | Blower vacuum switch | 46 |
| All gas installations | 22 | High limit switch | 47 |
| Water piping | 25 | Thermistor | 48 |
| Installation above pool surface | 27 | Water pressure switch | 48 |
| Chlorinator/chemical feeder | 27 | Transformer | 49 |
| Pressure relief valve | 28 | Blower | 49 |
| Electrical specifications | 28 | By-pass service cartridge | 49 |
| Electrical connections | 29 | Section V Troubleshooting | 51 |
| Remote control connection | 31 | General | 51 |
| Section III Check-out & Start-up | 33 | Automatic reset time | 51 |
| General | 33 | Supply wiring | 51 |
| Gas line testing | 33 | Internal wiring | 51 |
| Gas pressure testing | 34 | Fuse specifications | 51 |
| Gas pressure test procedure | 34 | Error codes..... | 52 |
| Water pressure switch | 35 | Troubleshooting | 54 |
| Two-speed pump | 35 | Warranty..... | 58 |
| Temperature control operation | 36 | Service Parts | 60 |
| Set point adjustment | 36 | | |
| Fahrenheit v. Celsius | 36 | | |
| Heating mode | 36 | | |
| Retry (Failure of light) | 37 | | |
| Recycle (Loss of flame) | 37 | | |
| Keypad inputs | 37 | | |
| Automatic reset time | 38 | | |
| Periodic inspection | 38 | | |
| Winterization | 38 | | |
| Removing the drain plug | 39 | | |
| Spring start-up | 39 | | |



USE ONLY HAYWARD GENUINE REPLACEMENT PARTS

Basic safety precautions should always be followed, including the following: Failure to follow instructions can cause severe injury and/or death.

-  This is the safety-alert symbol. When you see this symbol on your equipment or in this manual, look for one of the following signal words and be alert to the potential for personal injury.
-  **WARNING** warns about hazards that could cause serious personal injury, death or major property damage and if ignored presents a potential hazard.
-  **CAUTION** warns about hazards that will or can cause minor or moderate personal injury and/or property damage and if ignored presents a potential hazard. It can also make consumers aware of actions that are unpredictable and unsafe.
-  **ATTENTION** indicates special instructions that are important but not related to hazards.


**READ AND FOLLOW ALL INSTRUCTIONS IN THIS OWNER'S
MANUAL AND ON EQUIPMENT.
IMPORTANT SAFETY INSTRUCTIONS**



**Before installing or servicing this electrical equipment, turn power supply OFF.
KEEP SAFETY LABELS IN GOOD CONDITION AND REPLACE IF MISSING OR DAMAGED.**

-  **WARNING** – To reduce risk of injury, do not permit children to use or climb on the heater, pumps or filters. Closely supervise children at all times. Components such as the filtration system, pumps, and heaters must be positioned to prevent children from using them as a means of access to the pool.
-  **CAUTION** – This heater is intended for use on permanently installed swimming pools and may also be used with spas. Do NOT use with storable pools. A permanently installed pool is constructed in or on the ground or in a building such that it cannot be readily disassembled for storage. A storable pool is constructed so that it is capable of being readily disassembled for storage and reassembled to its original integrity.

Though this product is designed for outdoor use, it is strongly recommended to protect the electrical components from the weather. Select a well drained area, one that will not flood when it rains. It requires free circulation of air for cooling. Do not install in a damp or non-ventilated location.



-  **WARNING** – It is required that licensed electricians do all electrical wiring. Risk of Electric Shock. Hazardous voltage can shock, burn, cause death or serious property damage. To reduce the risk of electric shock, do NOT use an extension cord to connect unit to electric supply. Provide a properly located outlet. All electrical wiring MUST be in conformance with applicable local and national codes and regulations. Before working on this unit, turn off power supply to the heater.

-  **WARNING** – To reduce the risk of electric shock replace damaged wiring immediately. Locate conduit to prevent abuse from lawn mowers, hedge trimmers and other equipment.
-  **WARNING** – Failure to bond to pool structure will increase risk for electrocution and could result in injury or death. To reduce the risk of electric shock, the electrician must comply with installation instructions and must bond the heater accordingly. In addition, the licensed electrician must also conform to local electrical codes for bonding requirements.

USE ONLY HAYWARD GENUINE REPLACEMENT PARTS

NOTES TO THE ELECTRICIAN:

Use a solid copper conductor, size 8 or larger. Run a continuous wire from external bonding lug to reinforcing rod or mesh. Connect a No. 8 AWG solid copper bonding wire to the grounding lug provided on the heater and to all metal parts of swimming pool or spa, and to all electrical equipment, metal piping (except gas piping), and conduit within 5 ft. (1.5 m) of inside walls of swimming pool or spa. **IMPORTANT** -Reference NEC codes for all wiring standards including, but not limited to, grounding, bonding and other general wiring procedures.



! WARNING – Suction Entrapment Hazard.

Suction in suction outlets and/or suction outlet covers which are damaged, broken, cracked, missing, or unsecured can cause severe injury and/or death due to the following entrapment hazards:

Hair Entrapment- Hair can become entangled in suction outlets.

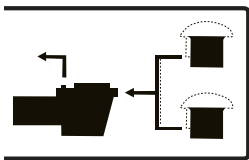
Limb Entrapment- A limb inserted into an opening of a suction outlet or suction outlet cover that is damaged, broken, cracked, missing, or not securely attached can result in a mechanical bind or swelling of the limb.

Body Suction Entrapment- A differential pressure applied to a large portion of the body or limbs can result in an entrapment.

Evisceration/ Disembowelment - A vacuum applied directly to the intestines through an unprotected suction outlet sump or suction outlet cover which is damaged, broken, cracked, missing, or unsecured can result in evisceration (disembowelment).

Mechanical Entrapment- There is potential for jewelry, swimsuit, hair decorations, finger, toe or knuckle to be caught in an opening of a suction outlet or suction outlet cover resulting in mechanical entrapment.

! WARNING - To reduce the risk of entrapment hazards:



- When suction outlets are less than a 18" x 23" equivalent, a minimum of two functioning suction outlets per pump must be installed. Suction outlets in the same plane (i.e. floor or wall), must be installed a minimum of three feet (3') [1 meter] apart, as measured from near point to near point.
- Dual suction outlets shall be placed in such locations and distances to avoid "dual blockage" by a user.
- Dual suction fittings shall not be located on seating areas or on the backrest for such seating areas.
- The maximum system flow rate shall not exceed the flow rating of any listed (per current revision of ASME/ANSI A112.19.8) suction outlet cover installed.
- Never use the Pool or Spa if any suction outlet component is damaged, broken, cracked, missing, or not securely attached.
- Replace damaged, broken, cracked, missing, or not securely attached suction outlet components immediately.
- Install two or more suction outlets per pump in accordance with latest APSP (formally NSPI) Standards and CPSC guidelines. Follow all applicable National, State, and Local codes.

USE ONLY HAYWARD GENUINE REPLACEMENT PARTS

- ⚠ WARNING** – Failure to remove pressure test plugs and/or plugs used in winterization of the pool/spa from the suction outlets can result in an increase potential for suction entrapment as described above.
- ⚠ WARNING** – Failure to keep suction outlet components clear of debris, such as leaves, dirt, hair, paper and other material can result in an increase potential for suction entrapment as described above.
- ⚠ WARNING** – Suction outlet components have a finite life, the cover/grate should be inspected frequently and replaced at least every ten years or if found to be damaged, broken, cracked, missing, or not securely attached.
- ⚠ WARNING** – All suction and discharge valves **MUST** be OPEN when starting the circulation system. Failure to do so could result in severe personal injury and/or property damage. All drains and suction outlets **MUST** have properly installed covers, securely attached using the screws supplied with the covers. If screws are lost, order replacement parts from your supplier.



- ⚠ WARNING – Hazardous Pressure.** Pool and spa water circulation systems operate under hazardous pressure during start up, normal operation, and after pump shut off. Stand clear of circulation system equipment during start up. Failure to follow safety and operation instructions could result in violent separation of the pump housing and cover due to pressure in the system, which could cause property damage, severe personal injury, or death. Before servicing pool and spa water circulation system, all system and pump controls must be in off position and filter manual air relief valve must be in open position. Before starting system pump, all system valves must be set in a position to allow system water to return back to the pool. Do not change filter control valve position while system pump is running. Before starting system pump, fully open filter manual air relief valve. Do not close filter manual air relief valve until a steady stream of water (not air or air and water) is discharged.



- ⚠ WARNING – Separation Hazard.** Failure to follow safety and operation instructions could result in violent separation of pump components. Strainer cover must be properly secured to pump housing with strainer cover lock ring. Before servicing pool and spa circulation system, manual air relief valve must be in open position. Do not operate pool and spa circulation system if a system component is not assembled properly, damaged, or missing. Do not operate pool and spa circulation system unless filter air relief valve body is in locked position in filter upper body.

- ⚠ WARNING** – Never operate or test the circulation system at more than 40 PSI.
- ⚠ WARNING** – Fire and burn hazard. Motors operate at high temperatures and if they are not properly isolated from any flammable structures or foreign debris they can cause fires, which may cause severe personal injury or death. It is also necessary to allow the motor to cool for at least 20 minutes prior to maintenance to minimize the risk of burns.
- ⚠ WARNING** – Failure to install according to defined instructions may result in severe personal injury or death.

USE ONLY HAYWARD GENUINE REPLACEMENT PARTS



WARNING – The following “Safety Rules for Hot Tubs” recommended by the U.S. Consumer Product Safety Commission should be observed when using the spa.

1. Spa or hot tub water temperatures should never exceed 104°F [40°C]. A temperature of 100°F [38°C] is considered safe for a healthy adult. Special caution is suggested for young children. Prolonged immersion in hot water can induce hyperthermia.
2. Drinking of alcoholic beverages before or during spa or hot tub use can cause drowsiness, which could lead to unconsciousness and subsequently result in drowning.
3. Pregnant women beware! Soaking in water above 100°F [38°C] can cause fetal damage during the first three months of pregnancy (resulting in the birth of a brain-damaged or deformed child). Pregnant women should adhere to the 100°F [38°C] maximum rule.
4. Before entering the spa or hot tub, users should check the water temperature with an accurate thermometer; spa or hot tub thermostats may err in regulating water temperatures by as much as 4°F (2.2°C).
5. Persons taking medications, which induce drowsiness, such as tranquilizers, antihistamines or anti-coagulants, should not use spas or hot tubs.
6. If the pool/spa is used for therapy, it should be done with the advice of a physician. Always stir pool/spa water before entering the pool/spa to mix in any hot surface layer of water that might exceed healthful temperature limits and cause injury. Do not tamper with controls, because scalding can result if safety controls are not in proper working order.
7. Persons with a medical history of heart disease, circulatory problems, diabetes or blood pressure problems should obtain a physicians advice before using spas or hot tubs.
8. Hyperthermia occurs when the internal temperature of the body reaches a level several degrees above normal body temperature of 98.6°F [37°C]. The symptoms of Hyperthermia include: drowsiness, lethargy, dizziness, fainting, and an increase in the internal temperature of the body.

The effects of Hyperthermia include:

1. Unawareness of impending danger.
2. Failure to perceive heat.
3. Failure to recognize the need to leave the spa.
4. Physical inability to exit the spa.
5. Fetal damage in pregnant women.
6. Unconsciousness resulting in danger of drowning.

DEFINITIONS:

| | |
|-----------------------------|--|
| Suction Outlet – | The term Suction Outlet is a fitting, fitting assembly, cover/grate and related components that provide a means for water to exit the pool and into the pump circulating system. |
| Inches of Mercury (in Hg) - | A unit for measuring pressure below atmospheric (“suction” or “vacuum”) (1.0 inch Hg = .491 PSI) |
| Main Drain – | See Suction Outlet |
| PSI – | An abbreviation for pounds per square inch. |


USE ONLY HAYWARD GENUINE REPLACEMENT PARTS

INTRODUCTION:

This manual contains instructions for installation, operation, maintenance, troubleshooting, and parts lists for the safe use of the swimming pool/spa/hot tub heaters. Hayward strongly recommends that the installer read the manual before installing the swimming pool/spa/hot tub heater. If after reviewing the manual any questions remain unanswered, contact the factory or local representative. Following heater installation, the installer should leave all manuals with the consumer for future reference.

LIMITED WARRANTY SUMMARY:

Hayward warrants the pool/spa/hot tub heater to be free from defects in materials and workmanship, and will within one year from date of installation for all users, for the original purchaser, repair or, at our option, replace without charge any defective part. Hayward further warrant that if the heat exchanger or exchanger headers (water-containing section) leak within one year from date of such installation for all users, due to defects in materials and workmanship, Hayward will provide a replacement part. Cost of freight, installation, fuel, and service labor (after one year) is at user's expense. For full details of warranty agreement, see warranty certificate included in this manual.

 **ATTENTION:** If the pool/spa/hot tub heater is damaged or destroyed by improper maintenance, excessive water hardness, incorrect water chemistry, or freezing it is not covered under the manufacturer's warranty.

MAINTAINING PROPER WATER CHEMISTRY:

 **WARNING:** **Failure to Maintain Proper Water Chemistry May Cause Premature Heat Exchanger Damage or Failure**

The heat exchanger in your Hayward pool heater is made from the highest quality of copper and nickel (Cupronickel) materials. The premium materials and the exacting processes used in the manufacture of the heat exchanger is state of the art in pool heater design and manufacture. Yet, it remains vital that the heat exchanger be protected from damaging or corrosive chemicals, insufficient water flow or improperly balanced water chemistry. Heat exchanger damage or failure resulting from improper flow, improperly balanced pool water or the improper addition of sanitizers into the water is NOT covered under the terms of your warranty.

The following factors are critical to heat exchanger protection. Follow these guidelines to help prevent pre-mature damage or failure to your heater and heat exchanger.

1. WATER FLOW THROUGH HEATER

Water must be flowing through the heater at the minimum rated flow rate during operation. Check that the pump is operating and the system is filled with water and purged of all air prior to starting the heater. The minimum rated flow rates are listed on page 26. Some installations may require an adjustment to the water pressure switch for proper low-flow protection. Test your system and if necessary, adjust the water pressure switch as described on page 35.

USE ONLY HAYWARD GENUINE REPLACEMENT PARTS

2. POOL/SPA WATER CHEMISTRY

The chemistry balance and mineral content of swimming pool water changes daily due to the addition of pool and sanitizing chemicals, bather loads, rain, runoff and the amount of sun - to name a few. Improper chemistry balance and mineral content can cause scaling and deposits to form on pool walls, in the filtration system, in the heat exchanger tubes and additionally can promote corrosive action to all metals in the water path. Changing spa water regularly and maintaining the correct chemical balance in your pool/spa will keep the pool/spa safe and sanitary, and will help protect the heat exchanger. Use a 4-way pool/spa water test kit to check your water frequently (at least weekly). Use the following guidelines to help protect your heater's heat exchanger:

| | Recommended Level | Effect of Low Levels | Effect of High Levels |
|-------------------------|-------------------|---|--|
| Chlorine | 1 - 3 ppm | hazy water, algae growth, bacteria causing infections | swimmer irritation, bleaching of clothes/hair, corrosive to heat exchanger |
| Bromine | 2 - 4 ppm | | |
| pH | 7.4 - 7.6 | corrosive to heat exchanger, swimmer irritation | cloudy water, scaling of heat exchanger, reduced sanitizer effectiveness |
| Total Alkalinity | 80 - 120 ppm | corrosive to heat exchanger, large fluctuations in pH | scaling of heat exchanger |
| Calcium Hardness | 200 - 400 ppm | corrosive to heat exchanger | scaling of heat exchanger |
| Salt | 2700 - 3400 ppm | poor salt chlorinator performance | corrosive to heat exchanger |

3. SKIMMER CHLORINATION

Placing chlorine or bromine tablets directly into the skimmer may result in high chemical concentrations flowing through the heater. DO NOT place chlorine or bromine tablets in the skimmer.

4. CHLORINATOR INSTALLATION

Chlorinators must be installed downstream of the heater, and a check valve must be installed between the heater and chlorinator to prevent high chemical concentrations from back flowing into the heater. Make sure your piping arrangement meets the chlorinator installation requirements shown on page 27.

5. BYPASS

Until water chemistry is properly balanced, and if your piping has a bypass valve installed for the heater, open the bypass so that corrosive and potentially damaging water will not flow through the heater and therefore the heat exchanger. Close the bypass valve once the water is properly balanced. Failure to close the bypass valve when attempting to operate the heater will result in extensive damage to the heat exchanger. Ensure water flow through the heater is restored before operating the heater. A bypass feature is also advantageous for service needs and for the ability to remove the heater from the water path when not heating. Refer to page 26 for further information.

USE ONLY HAYWARD GENUINE REPLACEMENT PARTS

EQUIPMENT INSPECTION:

On receipt of the heater, inspect the heater carton(s) for damage. If any carton(s) is damaged, note it when signing for it. Remove the heater from the carton(s) inspect it and advise the carrier of any damages at once.

IMPORTANT NOTICE:

The installation instructions are intended for the use of a qualified technician, specifically trained and experienced in the installation of this type of heating equipment. Some states or provinces require that installation be licensed. If this is the case in the state or province where heater is located, the contractor must be properly licensed.



WARNING: Failure to comply with the appliance and vent package installation instructions and service instructions in this manual may result in equipment damage, fire, asphyxiation, or carbon monoxide poisoning. Exposure to products of incomplete combustion (carbon monoxide) can cause cancer and birth defects or other reproductive harm.

CONFORMANCE WITH CODES:

The heater shall be installed in accordance with all local and state codes. The heater installation must conform to the latest edition of the National Fuel Gas Code (ANSI Z223.1/NFPA 54) and with the requirements of the authority having jurisdiction. Design certification of the heater is in compliance with ANSI Z21.56/CSA 4.7.

For Canadian installations, the heater is to be installed in accordance with the standards CAN/CGA B149.1 and B149.2 – Installation Codes for Gas Burning Appliances and Equipment and/or local codes and, if applicable, CSA C22.1 – Canadian Electrical Code, Part I.

ALTITUDE OF INSTALLATION:

The heater may be installed at any altitude up to 10,200 ft above sea level, provided the appropriate modification(s) are performed. The altitudes which require modification vary depending on the model. Parts necessary to convert the heater for outdoor installation at altitudes up to 7,700 ft (minimum) are included with the heater. Conversion is accomplished by replacement of the blower air inlet plate, and for indoor applications, installation of a special vent pressure switch. The blower air inlet plates are clearly marked with the compatible heater model(s), vent configuration(s), and altitude range(s). Care should be taken to verify the correct plate (and vent pressure switch, when applicable) is being used to ensure proper heater performance. The vent pressure switch should be provided with the indoor adapter kit, or if you have an older indoor adapter kit, order p/n FDXLVPS1931 for the high-altitude indoor vent pressure switch.

High-Altitude Conversion Procedure:

1. Identify the altitude of the installation site. This may be done using a GPS device, or by looking up the altitude for the geographic location. Altitudes for all locations in the United States and Canada may be found using the zip/postal code database at www.zip-codes.com. If the altitude for the installation site is greater than 10,100 ft, the heater may not be installed. Note that if installing outdoors, some Universal H-Series heaters may be compatible with your altitude without modification. Table A lists the altitude ranges for heaters without modification. All indoor heaters installed above 2,000 ft require a special vent pressure switch.
2. Select the appropriate blower air inlet plate to use based on the heater model, vent configuration (outdoor or indoor), and altitude needed. Extra plate(s) are included with the heater, packaged in the plastic bag with this manual. Each plate has a label which identifies which model(s), vent configuration(s), and altitude range(s) it is designed for. Table A lists the maximum installation altitudes using the included conversion plate(s). If installing above 7,700 ft, the high-altitude kit

USE ONLY HAYWARD GENUINE REPLACEMENT PARTS



HAYWARD Pool Products
A Hayward Industries, Inc. Company

Pomona, CA Clemmons, NC Nashville, TN
Tel: 908-351-5400 www.haywardpool.com

FDXLHAK1930 (sold separately) may be necessary.

3. If installing indoors, select the appropriate high-altitude indoor vent pressure switch from the indoor adapter kit or from the FDXLVPS1931 kit. Each switch has a label which identifies which model(s) and altitude range(s) it is designed for.
4. If connected, turn pump, main gas valve, and heater power off.
5. Remove heater front access door.
6. Remove the 4 #10 hex head screws that fasten the blower air inlet plate to the blower, and remove the blower air plate and discard. Save the 4 screws as they will be needed to install the new plate.
See Figure 49 (page 47).
7. Install the appropriate blower plate from the kit using the 4 screws. It may be helpful to drive the screws in and out of the plate outside of the heater first to “thread” the holes before installing it in the heater.
8. If the installation is configured for indoor venting, a special high-altitude vent pressure switch must be installed. Follow the instructions for vent kit installation (page 17), but use the appropriate blower air inlet plate and vent pressure switch for your altitude.
9. Re-install heater front door.
10. If connected, turn pump, main gas valve, and heater power back on.
11. Activate heater and check for proper function.

Table A lists the maximum altitudes each model is designed for with: a) no modifications, b) the included conversion plate installed, and c) the accessory conversion kit FDXLHAK1930 installed (sold separately).

TABLE A

| Heater Model | Gas | Maximum Installation Altitude | | | | | |
|--------------|-----|-------------------------------|---|--|----------------------------|---|--|
| | | Outdoor Installation | | | Indoor Installation * | | |
| | | No Modifications to Heater | Included Conversion Plate Installed on Heater | Conversion kit FDXLHAK1930 Installed on Heater | No Modifications to Heater | Included Conversion Plate Installed on Heater | Conversion kit FDXLHAK1930 Installed on Heater |
| H150FDN | NAT | 7,700 ft | N/A | 10,100 ft | 10,100 ft | N/A | N/A |
| H150FDP | LP | 7,700 ft | N/A | 10,100 ft | 2,000 ft | 10,100 ft | N/A |
| H200FDN | NAT | 10,100 ft | N/A | N/A | 10,100 ft | N/A | N/A |
| H200FDP | LP | 5,400 ft | 10,100 ft | N/A | 2,000 ft | 10,100 ft | N/A |
| H250FDN | NAT | 5,400 ft | 10,100 ft | N/A | 2,000 ft | 10,100 ft | N/A |
| H250FDP | LP | 2,000 ft | 7,700 ft | 10,100 ft | 2,000 ft | 7,700 ft | 10,100 ft |
| H300FDN | NAT | 10,100 ft | N/A | N/A | 10,100 ft | N/A | N/A |
| H300FDP | LP | 2,000 ft | 10,100 ft | N/A | 2,000 ft | 10,100 ft | N/A |
| H350FDN | NAT | 2,000 ft | 10,100 ft | N/A | 2,000 ft | 10,100 ft | N/A |
| H350FDP | LP | 2,000 ft | 7,700 ft | 10,100 ft | 2,000 ft | 7,700 ft | 10,100 ft |
| H400FDN | NAT | 10,100 ft | N/A | N/A | 10,100 ft | N/A | N/A |
| H400FDP | LP | 2,000 ft | 7,700 ft | 10,100 ft | 2,000 ft | 7,700 ft | 10,100 ft |

* All indoor installations at altitudes above 2,000 ft also require a special vent pressure switch to be installed in addition to the blower air inlet plate. The special vent pressure switch is included with the appropriate indoor vent kit (UHXNEGVT1xxx or UHXPOSHZ1xxx), or the high-altitude vent pressure switch kit FDXLVPS1931.

USE ONLY HAYWARD GENUINE REPLACEMENT PARTS

UNCRATING THE HEATER:

To remove the shipping carton from the heater:

1. Remove the corrugated carton from the heater. The carton, top pad, bottom pad, and the four corner posts can be recycled.
2. There are three (3) screws total used to secure the heater to the wood pallet. All three must be removed to separate the heater from the pallet. One (1) is located in the lower rear of the heater as shown in Figure 1.
3. To access the other two (2) screws, open the front access panel by removing the four (4) black phillips-head screws. Then remove the two (2) screws which hold the heater base pan to the pallet as shown in Figure 2.
4. Lift the heater clear of the corrugated bottom pad and off of the pallet.

⚠ ATTENTION: Do not drop the heater from a pickup truck tailgate to the ground. This may damage the heater.

Figure 1

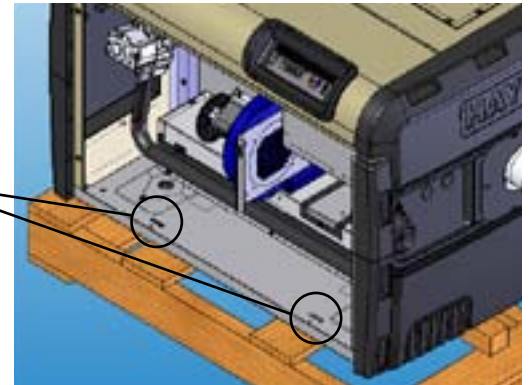


The screw through the rear shipping bracket is located in this area. Remove the screw.

It is not necessary to remove the bracket or the rear louvered panel.

Figure 2

Remove the (2) shipping screws and discard bottom corrugated tray.



LOCATING THE HEATER:

Locate the pool/spa/hot tub heater in an area where leakage of the heat exchanger or connections will not result in damage to the area adjacent to the heater or to the structure. When such locations cannot be avoided, it is recommended that a suitable drain pan, with drain outlet, be installed under the heater. The pan must not restrict airflow.

This heater must be installed at least (5) feet from the inside wall of a pool (in-ground or aboveground)/spa/hot tub unless separated from the pool/spa/hot tub by a solid barrier.

The heater must be installed such that the location of the exhaust gas vent assembly outlet relative to adjacent public walkways, adjacent buildings, openable windows, and building openings complies with the National Fuel Gas Code (ANSI Z223.1/NFPA 54) and/or CAN/CGA B149 installation codes. Outdoor installation and service clearances:

The heater must be installed outdoors such that the installation and service clearances from combustible materials shown in Table 1 are maintained. This heater may be installed on combustible floors.

1. The heater is self-venting when installed outdoors and does not require additional vent piping.
2. Do not install in a location where growing shrubs may in time obstruct a heater's combustion air and venting areas.
3. Do not install this appliance under an overhang less than (3) feet from the top of the appliance. The area under the overhang must be open on (3) sides.
4. Do not install the heater where water spray from ground sprinkler can contact the heater. The water could splash on the controls causing electrical damage.
5. Do not install under a deck.

USE ONLY HAYWARD GENUINE REPLACEMENT PARTS

6. Do not install within 24" of any outdoor HVAC equipment.
7. Do not install where water may run-off a roof into the heater. A gutter may be needed to protect the heater.
8. Any enclosure around the heater must provide a combustion air vent commencing within 12 inches of the bottom of the enclosure. The vent opening shall have a minimum free area of 1 square inch per 4,000 btu/hr input rating of all gas appliances in the enclosure. See Table 4.

Table 1
Outdoor Installation Clearances

| Heater Panel | Required Clearance |
|--------------------------------|--------------------|
| Top | Unobstructed |
| Front | 24 inches |
| Back | 6 inches |
| Water Connection Side | 12 inches |
| Side Opposite Water Connection | 6 inches |

FLOORING:

This heater may be installed on either non-combustible or combustible flooring. Ultralite™ or equivalent concrete-over-foam HVAC pads are acceptable.

TIE-DOWN BRACKETS:

The heater is equipped for installation of factory-supplied tie-down brackets if required by local codes. The brackets are shipped in the consumer kit. You will need the following to complete the installation:

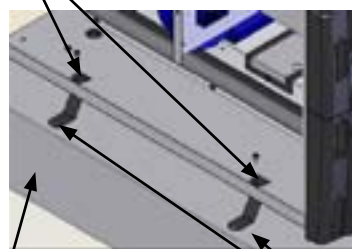
1. Tie-down brackets (FACTORY-SUPPLIED, quantity = 4)
2. Sheet metal screws (FACTORY-SUPPLIED, quantity = 4)
3. Concrete tapping screws (tapcons) (field-supplied, quantity = 4, size to be ¼" diameter with a minimum length of 2")

INSTALLING TIE-DOWN BRACKETS:

1. Locate the tie-down brackets and the sheet metal screws.
2. Obtain the tap-cons. Be sure the overall length of the concrete tapping screw is at least 2".
3. Remove the front access panel (4 screws).
4. Remove the rear access panel (4 screws).
5. Position the heater on the pad so that all tap-cons can "bite" into the pad. Observe local codes regarding pad construction, some jurisdictions specify a minimum thickness for concrete pads.
6. Slip the tie-down brackets into the slots in the front of the heater base pan from underside of the heater, so that they are positioned as shown in figure 5. Install the sheet metal screws through the holes in the bracket to secure the bracket to the heater base pan.
7. Install the tap-cons through the holes in the tie-down brackets into the pad.
8. Repeat Steps 6 & 7 at the rear of the heater.
9. Installation is completed when (4) brackets are secured to the heater and the pad. Install the access panels when complete.

Figure 5

Install sheet metal screws (supplied) at these locations (front and rear)



Equipment pad

Install concrete tapping screws (field-supplied) at these locations (front and rear)

USE ONLY HAYWARD GENUINE REPLACEMENT PARTS

INDOOR INSTALLATION AND VENTING

POSITIVE AND NEGATIVE PRESSURE VENTING SYSTEMS

The heater is designed such that it may be vented using either a negative-pressure or a positive-pressure venting system. The appropriate system of venting for a particular site will depend on many factors such as vent termination needs (horizontal/vertical), and the cost of venting system. Table 2 lists the indoor venting kits available and the limitations of each system.

| Indoor Vent Kit Part Number | Description | For Use With Heater Models | Vent Pipe Limitations | Vent Pipe Material | Vent Termination Requirement |
|-----------------------------|---|----------------------------|---|--|--|
| UHXNEGVT11501 | Indoor Vent Adapter Kit, Negative Pressure, Vertical Venting Applications | H150FD | 50 ft max vertical height, 25 ft max horizontal length (horizontal length cannot exceed 1/2 of vertical height), 3 elbows max | Single or Double Wall Galvanized Non-Sealed Vent Pipe | Vertical Only, Termination Above Roof of House/ Building |
| UHXNEGVT12001 | | H200FD | | | |
| UHXNEGVT12501 | | H250FD | | | |
| UHXNEGVT13001 | | H300FD | | | |
| UHXNEGVT13501 | | H350FD | | | |
| UHXNEGVT14001 | | H400FD | | | |
| UHXPOSHZ11501 | Indoor Vent Adapter Kit, Positive Pressure, Horizontal or Vertical Venting Applications | H150FD | 50 ft max with 1 elbow, 40 ft max with 2 elbows, or 30 ft max with 3 elbows (horizontal or vertical) | Single or Double Wall Stainless Steel Sealed Vent Pipe | Horizontal or Vertical, Termination Immediately Outside Wall of House/Building |
| UHXPOSHZ12001 | | H200FD | | | |
| UHXPOSHZ12501 | | H250FD | | | |
| UHXPOSHZ13001 | | H300FD | | | |
| UHXPOSHZ13501 | | H350FD | | | |
| UHXPOSHZ14001 | | H400FD | | | |

CLEARANCES

The heater must be installed such that the installation and service clearances from combustible materials shown in Table 3 are maintained. This heater may be installed on combustible floors. Do not install heater in a closet.

AIR SUPPLY

Indoor installations and outdoor shelters (confined spaces) must be provided with adequate combustion and ventilation air vents to assure proper heater operation. These vents must be sized according to the requirements stated in paragraph A or B below (whichever applies to the installation). These vents must never be obstructed when heater is in operation.

When air blowers are used in spa/hot tub installations and are located in proximity to the heater, caution must be observed to ensure sufficient combustion air is available to the heater for proper combustion. A separate blower air duct is recommended.

| Heater Panel | Required Clearance |
|--------------------------------|--------------------|
| Top | 36 inches |
| Front | Unobstructed |
| Back | 6 inches |
| Water Connection Side | 12 inches |
| Side Opposite Water Connection | 6 inches |

USE ONLY HAYWARD GENUINE REPLACEMENT PARTS

(A) ALL AIR SUPPLY FROM INSIDE THE BUILDING:

The confined space shall be provided with 2 permanent openings communicating directly with an additional room(s) of sufficient volume so that the combined volume of all spaces meets the criteria for an unconfined space (a space whose volume is not less than 50 cubic feet per 1,000 btu/hr). The total input of all gas utilization equipment installed in the combined space shall be considered in making the determination. Each opening shall have a minimum free area of 1 square inch per 1,000 btu/hr of the total input rating of all gas utilization equipment in the confined space, but not less than 100 square inches. See Table 4. One opening shall be within 12 inches of the top and and one within 12 inches of the bottom of the enclosure.

(B) ALL AIR SUPPLY FROM OUTDOORS:

The confined space shall be provided with 2 permanent openings, once commencing within 12 inches of the bottom of the enclosure. The opening shall communicate directly, or by ducts, with the outdoors or spaces (crawl or attic) that freely communicate with the outdoors.

1. When communicating with the outdoors (either directly or through vertical ducts), each opening shall have a minimum free area of 1 square inch per 4,000 btu/hr of total input rating of all equipment in the enclosure. See Table 4.
2. When communicating with the outdoors through horizontal ducts, each opening shall have a minimum free area of 1 square inch per 2,000 btu/hr of total input rating of all equipment in the enclosure. See Table 4.
3. When ducts are used, they shall be of the same cross-sectional area as the free area of the openings to which they connect. The minimum dimension of rectangular air ducts shall not be less than 3 inches.
4. When installing a heater below ground (in a pit), combustion and ventilation air openings must be provided as shown in Figure 9. Each opening shall have a minimum free area of 1 square inch per 250 btu/hr or total input rating of all equipment in the pit. See Table 4. Below-ground (pit) installations must be natural gas only.

For more detailed methods of providing air for combustion and ventilation, refer to the latest edition of the National Fuel Gas Code (ANSI Z223.1/NFPA 54).

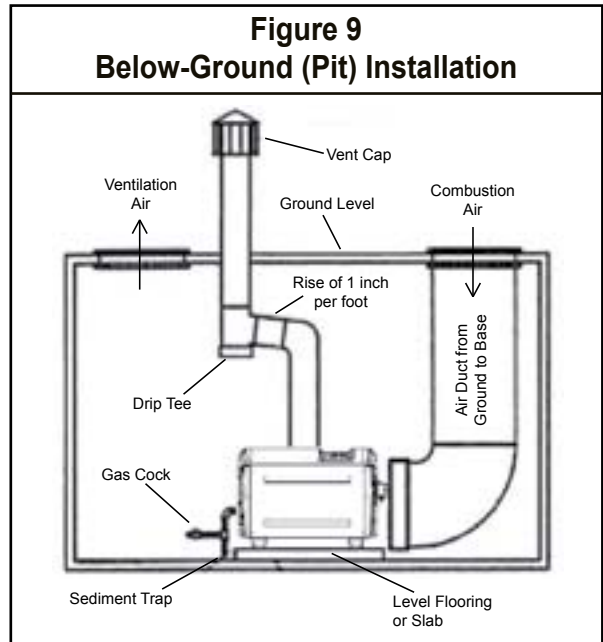


Table 4: Combustion and Ventilation Air Requirements

| Free Area per Btu Requirement | Total Input (btu/hr) | Combustion Air Free Area Required (sq. in.) | Ventilation Air Free Area Required (sq. in.) |
|--|----------------------|---|--|
| 1 sq. in. per 1,000 btu/hr (paragraph A) | 150,000 | 150 | 150 |
| | 200,000 | 200 | 200 |
| | 250,000 | 250 | 250 |
| | 300,000 | 300 | 300 |
| | 350,000 | 350 | 350 |
| | 400,000 | 400 | 400 |
| 1 sq. in. per 2,000 btu/hr (paragraph B-2) | 150,000 | 75 | 75 |
| | 200,000 | 100 | 100 |
| | 250,000 | 125 | 125 |
| | 300,000 | 150 | 150 |
| | 350,000 | 175 | 175 |
| | 400,000 | 200 | 200 |
| 1 sq. in. per 4,000 btu/hr (paragraph B-1) | 150,000 | 37.5 | 37.5 |
| | 200,000 | 50 | 50 |
| | 250,000 | 62.5 | 62.5 |
| | 300,000 | 75 | 75 |
| | 350,000 | 87.5 | 87.5 |
| | 400,000 | 100 | 100 |
| 1 sq. in. per 250 btu/hr (paragraph B-4) | 150,000 | 600 | 600 |
| | 200,000 | 800 | 800 |
| | 250,000 | 1000 | 1000 |
| | 300,000 | 1200 | 1200 |
| | 350,000 | 1400 | 1400 |
| | 400,000 | 1600 | 1600 |

USE ONLY HAYWARD GENUINE REPLACEMENT PARTS

VERTICAL VENTING – NEGATIVE PRESSURE

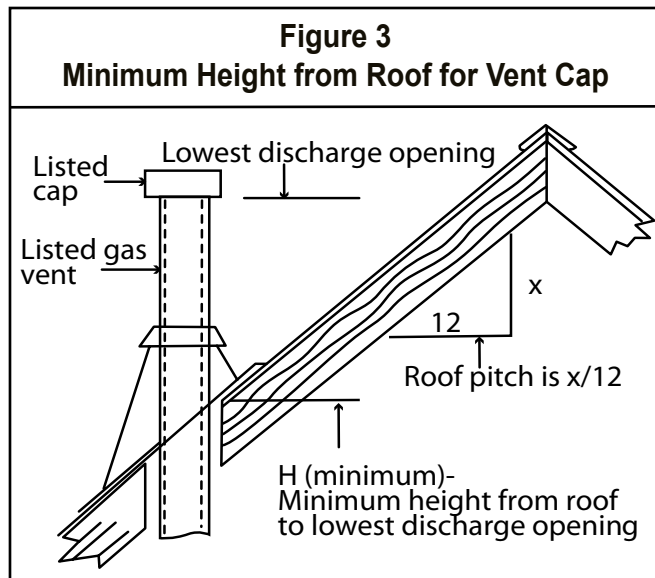
VENT SIZING

Size the vent pipe according to the venting tables in the National Fuel Gas Code (ANSI Z223.1/NFPA 54) for a Category I gas appliance using single-wall or double-wall (Type B) gas vent. Vent pipe diameter should not be less than the size of the vent pipe adapter on the heater (see Table 5). The maximum vent height cannot exceed 50 ft. The total lateral (horizontal) length cannot exceed 1/2 of the total vent height. The system may have up to 3 90-degree elbows maximum. Single-wall vent may be used in conditioned spaces only. Clearance to combustible materials for single-wall vent is 9 inches. Double-wall (Type B) vent must be used in non-conditioned spaces.

| Indoor Vent Kit Part Number | Heater Model | Vent Pipe Diameter |
|-----------------------------|--------------|--------------------|
| UHXNEGVT11501 | H150FD | 6 inch |
| UHXNEGVT12001 | H200FD | 6 inch |
| UHXNEGVT12501 | H250FD | 6 inch |
| UHXNEGVT13001 | H300FD | 8 inch |
| UHXNEGVT13501 | H350FD | 8 inch |
| UHXNEGVT14001 | H400FD | 8 inch |

VENT TERMINATION

Vent extending through a roof or wall must be listed double-wall (Type B) vent, and pass through an approved roof jack, or roof thimble. A listed vent cap must be used. Gas vents that are spaced less than 8 ft horizontally from a vertical wall or similar obstruction shall terminate not less than 2 ft above any portion of a building within 10 ft. Gas vents that are spaced 8 ft or more horizontally from a vertical wall or similar obstruction shall terminate above the roof a distance H based on the roof pitch. Using the roof pitch, find the minimum value of H using Figure 3 and Table 6



| Roof Slope | Min. Height H from Roof to Lowest Discharge Opening |
|---------------------|---|
| Flat to 6/12 | 1.0 ft |
| Over 6/12 to 7/12 | 1.25 ft |
| Over 7/12 to 8/12 | 1.5 ft |
| Over 8/12 to 9/12 | 2.0 ft |
| Over 9/12 to 10/12 | 2.5 ft |
| Over 10/12 to 11/12 | 3.25 ft |
| Over 11/12 to 12/12 | 4.0 ft |
| Over 12/12 to 14/12 | 5.0 ft |
| Over 14/12 to 16/12 | 6.0 ft |
| Over 16/12 to 18/12 | 7.0 ft |
| Over 18/12 to 20/12 | 7.5 ft |
| Over 20/12 to 21/12 | 8.0 ft |

USE ONLY HAYWARD GENUINE REPLACEMENT PARTS

HORIZONTAL OR VERTICAL VENTING – POSITIVE PRESSURE

VENT SIZING

Vent pipe diameter must match the vent pipe diameter on the heater (see Table 7). The vent pipe must be Heatfab single or double-wall stainless steel sealed vent as listed in Table 7. Double-wall vent must be used in non-conditioned spaces. The maximum total length of vent pipe, and number of 90-degree elbows cannot exceed the limits specified in Table 8.

The venting system must be installed in accordance with the vent manufacturer's (Heatfab) installation instructions and guidelines. The installer is urged to visit Heatfab's website (www.heatfab.com) and review the installation information for Saf-T Vent EZ-Seal (single-wall) and/or Saf-T Vent CI Plus (double-wall) products.

VENT TERMINATION

The vent system must terminate with a vent terminal approved for this pool heater. Termination may be either horizontal or vertical. See Table 7 for the Heatfab vent terminals which are approved.

OBTAINING VENT PIPE AND TERMINALS

You must purchase your vent pipe and vent terminal either from Heatfab directly, or from an authorized Heatfab dealer. To locate a dealer for Heatfab venting parts, contact Heatfab at:

Selkirk Corporation
Heatfab Division
130 Industrial Blvd
Turners Falls, MA 01376
(800) 772-0739
www.heatfab.com

Table 8
Maximum Vent Pipe Length and Number of Elbows for
Positive-Pressure Vent Systems

| Number of 90-degree Elbows | Maximum Vent Pipe Length (horizontal & vertical) |
|----------------------------|--|
| 0 | 50 ft |
| 1 | 50 ft |
| 2 | 40 ft |
| 3 | 30 ft |

USE ONLY HAYWARD GENUINE REPLACEMENT PARTS

Table 7
Vent Pipe & Terminal Specifications for Positive-Pressure Indoor Vent Kits

| Kit Part Number | Heater Model | Nominal Vent Pipe Diameter | Vent Type | Vent Pipe | Horizontal Vent Terminal | Vertical Vent Terminal |
|---|----------------------------|----------------------------|-------------|--|---|------------------------|
| UHXPOSHZ11501 UHXPOSHZ12001 | H150FD H200FD | 6 inch | Single-Wall | Heatfab Saf-T Vent EZ Seal P/N 960x * | Heatfab P/N 9614TERM (elbow terminal) and 5691CI (wall penetration) | Heatfab P/N 5600CI |
| | | | Double-Wall | Heatfab Saf-T Vent CI Plus P/N CCA06Lxx ** | Heatfab P/N 9614TERM (elbow terminal), CCK06FC (collar), CCA06ADSV (connector ring), and CCL06WPNS (wall penetration) | Heatfab P/N CCA06RC |
| UHXPOSHZ12501 | H250FD | 6 inch | Single-Wall | Heatfab Saf-T Vent EZ Seal P/N 960x * | Heatfab P/N 5690CI | Heatfab P/N 5600CI |
| | | | Double-Wall | Heatfab Saf-T Vent CI Plus P/N CCA06Lxx ** | Heatfab P/N CCE06WP | Heatfab P/N CCA06RC |
| UHXPOSHZ13001 UHXPOSHZ13501 UHXPOSHZ14001 | H300FD H350FD H400FD | 8 inch | Single-Wall | Heatfab Saf-T Vent EZ Seal P/N 980x * | Heatfab P/N 5890CI | Heatfab P/N 5800CI |
| | | | Double-Wall | Heatfab Saf-T Vent CI Plus P/N CCA08Lxx ** | Heatfab P/N CCE08WP | Heatfab P/N CCA08RC |

* For vent pipe section length, "x" should be: 1, 2, 4, 5, or 7, where: 1=6 inches, 2=12 inches, 4=18 inches, 5=24 inches, and 7=36 inches.

** For vent pipe section length, "xx" should be: 06, 09, 12, 18, 24, or 36 indicating the length of the vent pipe section in inches.

USE ONLY HAYWARD GENUINE REPLACEMENT PARTS

VENT KIT INSTALLATION PROCEDURE

(positive and negative-pressure venting)

1. If connected, turn pump, main gas valve, and heater power off.
2. Locate the heater as close as practical to the gas vent exit.
3. Remove the countersunk phillips-head screws and remove the flue cover panel on top of the heater and discard. Save the countersunk screws as they will be re-used later.
4. Remove the screws that fasten the heat barrier to the heater. Remove the heat barrier and discard. See Figure 4.
5. Remove the screws that fasten the rain guard to the heater. Remove the rain guard and discard. See Figure 4.
6. Install the vent pipe adapter plate included in the kit into the heater using the #10 screws included with the kit. Ensure the white gaskets are in place under the vent pipe adapter plate before installing. See Figure 5.
7. Install the new flue cover included with the kit over the vent pipe adapter and secure with the countersunk screws from step 3 above. See Figure 6.
8. Remove heater front access door.
9. The vent pressure switches included with the indoor kit are labeled based on heater model and altitude compatibility. Depending on your model and altitude, select the appropriate vent pressure switch, and install inside the heater using 2 #10 screws as shown in Figure 7. If your heater is above 2,000 ft elevation, other high-altitude conversion steps may be necessary for proper heater performance. Refer to the information on page 8 and/or the instructions with the FDXLHAK1930 high-altitude kit.
10. Remove the rubber cap from the blower outlet pressure tap and discard. See Figure 8 for blower tap location.
11. Attach the pressure switch tubing to the vent pressure switch and to the pressure tap on the blower outlet. See Figure 8 for blower tap location.
12. Connect the jumper wire included with the indoor kit onto one of the terminals on the vent pressure switch. Unplug the in-line quick connect on the red wire in the heater wire harness, and connect the vent pressure switch in series with the red wire. See heater wiring schematic on page 28.
13. If installing the kit on models H250FDN, H250FDP, or H400FDP, you must also replace the existing blower air inlet restrictor with the new one included in the kit.
 - a. Remove the 4 #10 hex head screws that fasten the plate to the blower, and remove the blower air plate and discard. Save the 4 screws as they will be needed to install the new plate.
 - b. Install the new blower plate included in the kit using the 4 screws. It may be helpful to drive the screws in and out of the plate outside of the heater first to “thread” the holes before installing it in the heater. See Figure 8.
14. Re-install heater front door.
15. Connect vent piping system to heater vent adapter.
16. If connected, turn pump, main gas valve, and heater power back on.
17. Activate heater and check for proper function.

USE ONLY HAYWARD GENUINE REPLACEMENT PARTS



FIGURE 4



FIGURE 5



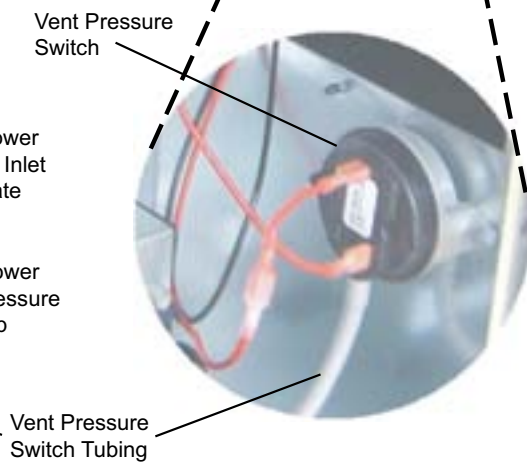
FIGURE 6



FIGURE 7



FIGURE 8

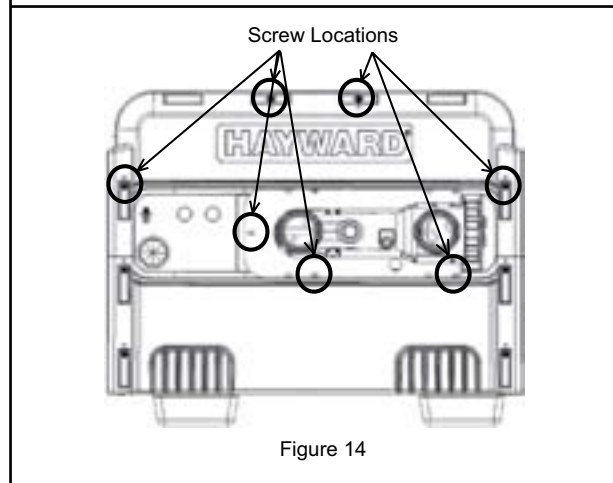


USE ONLY HAYWARD GENUINE REPLACEMENT PARTS

REVERSIBLE WATER CONNECTIONS:

This heater is designed so that it can be installed with the water connections located on either the right or left side. Heaters are factory-shipped with right-side water connections. To move the connections to the left side follow the instructions below and see Figure 15. A trained service technician should perform these steps before the heater is installed.

Figure 14:



1. Before beginning, be aware that it is not necessary to remove the water header from the heat exchanger. When this procedure is complete, the water inlet will be located at the BACK of the heater. The water outlet will be located at the FRONT.
2. Remove screws and remove both of the upper plastic heater side panels (see Figures 14 and 15). Note the wires that pass through a hole in the heater side panel go through a split-bushing, which will allow separation of the wires from the panel without disconnecting them.
3. Disconnect the 2 wires connecting the heater wire harness to the heat exchanger header. One is located on the water pressure switch and one is located on the temperature limit switch, both on the top of the header. Pull these wires into the heater cabinet from the hole in the right-hand metal side panel in the heater, and re-route them out through the left-hand metal side panel in the heater.
4. Remove countersunk screws on the heater top and remove louvered exhaust panel on heater top (see Figure 15).
5. Remove the heater top flue cover by removing 3 screws on each side of the heater (see Figure 15).
6. Remove screws and remove rain shield assembly (see Figure 15). Note that there are screws which hold the rain shield assembly to the heat exchanger tube sheets, which also must be removed.
7. Remove the front access panel (see Figure 15).
8. Disconnect water temperature sensor plug from the ignition control board located inside the heater (see Figure 15).
9. Pull the water temperature sensor wires out of the heater cabinet through the hole in the right-hand metal side panel.
10. Lift and rotate the heat exchanger. Do not flip. Use care when setting the heat exchanger in place not to damage the white sealing gaskets or combustion chamber.
11. Route the water temperature sensor wires into the heater cabinet through the hole in the left-hand metal side panel, and re-connect to the ignition control board.
12. Re-connect the heater wire harness to the water pressure switch and temperature limit.
13. Reverse the above steps to reassemble the heater.

USE ONLY HAYWARD GENUINE REPLACEMENT PARTS

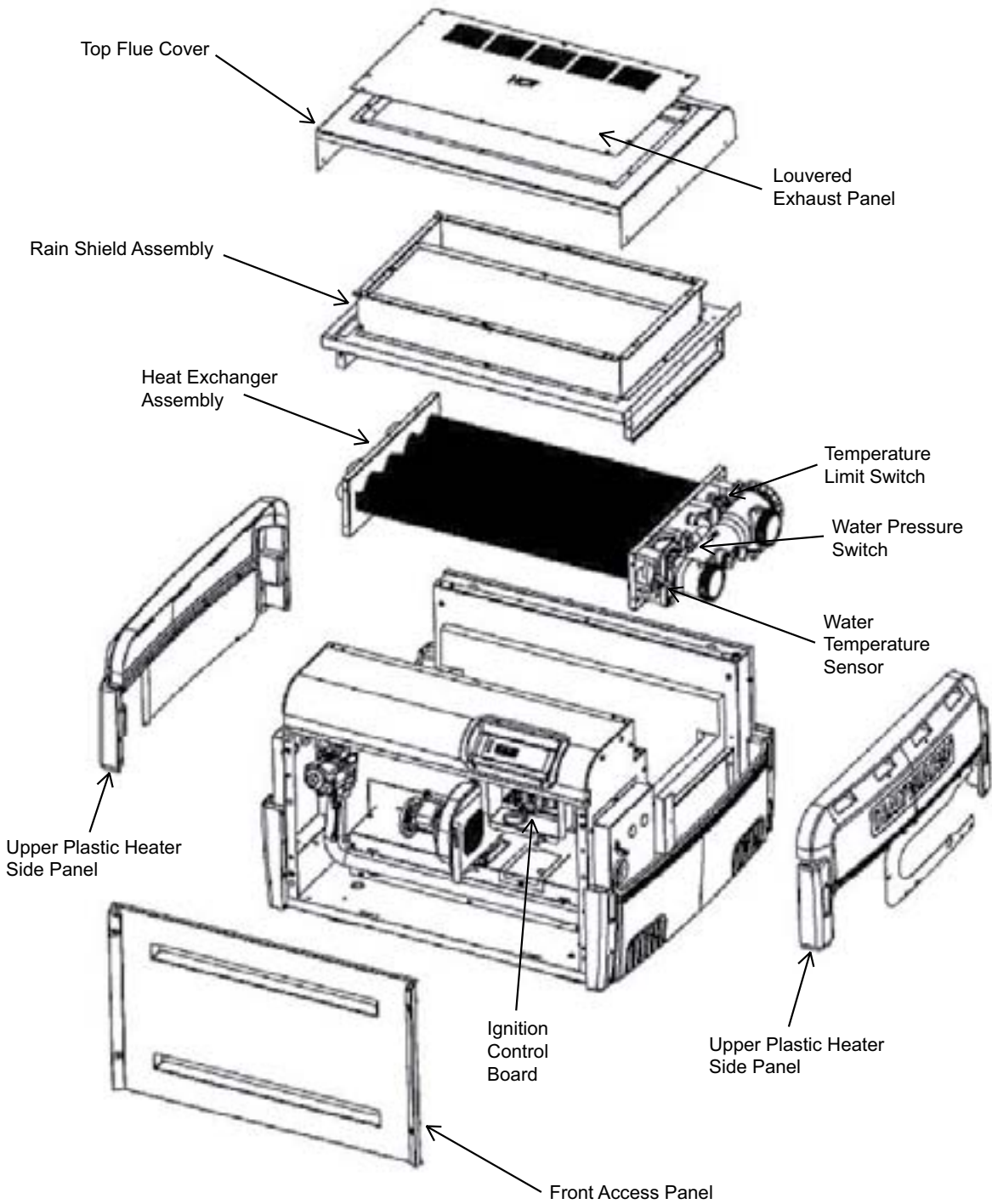


Figure 15

USE ONLY HAYWARD GENUINE REPLACEMENT PARTS

Gas Supply and Piping :

Refer to the charts below in Figure 16 for gas pipe sizing for low pressure natural gas, low pressure propane gas, two-stage natural gas and two-stage propane gas systems.

Figure 16 : GAS PIPE SIZE

Follow local gas codes for proper gas line material selection (copper, iron, plastic, etc.)

LOW PRESSURE NATURAL GAS PIPE SIZING: (Based upon an inlet gas pressure of 0.5 psig or less at a pressure drop of 0.5 in-wc)

| Distance from Gas Meter to Heater Gas Valve Inlet | Model | H150FDN | H200FDN | H250FDN | H300FDN | H350FDN | H400FDN |
|---|---------------|----------------------|----------------------|----------------------|----------------------|----------------------|----------------------|
| | btu/hr input | 150,000 | 200,000 | 250,000 | 300,000 | 350,000 | 400,000 |
| | Line Material | Iron or Plastic Pipe | Iron or Plastic Pipe | Iron or Plastic Pipe | Iron or Plastic Pipe | Iron or Plastic Pipe | Iron or Plastic Pipe |
| 0 to 50 ft | | 3/4" | 1" | 1" | 1-1/4" | 1-1/4" | 1-1/4" |
| 50 to 100 ft | | 1" | 1" | 1-1/4" | 1-1/4" | 1-1/4" | 1-1/4" |
| 100 to 200 ft | | 1-1/4" | 1-1/4" | 1-1/4" | 1-1/2" | 1-1/2" | 1-1/2" |
| 200 to 300 ft | | 1-1/4" | 1-1/4" | 1-1/2" | 2" | 2" | 2" |

LOW PRESSURE PROPANE GAS PIPE SIZING: (Based upon an inlet gas pressure of 11 in-wc at a pressure drop of 0.5 inch w.c.)

| Distance from Tank Regulator Outlet to Heater Gas Valve Inlet | Model | H150FDP | | H200FDP | | H250FDP | | H300FDP | | H350FDP | | H400FDP | |
|---|---------------|-----------|--------|-----------|--------|-----------|--------|-----------|--------|-----------|--------|-----------|--------|
| | btu/hr input | 150,000 | | 200,000 | | 250,000 | | 300,000 | | 350,000 | | 400,000 | |
| | Line Material | Iron Pipe | Tubing | Iron Pipe | Tubing | Iron Pipe | Tubing | Iron Pipe | Tubing | Iron Pipe | Tubing | Iron Pipe | Tubing |
| 0 to 50 ft | | 3/4" | 7/8" | 3/4" | 7/8" | 1" | 1-1/8" | 1" | 1-1/8" | 1" | 1-1/8" | 1" | --- |
| 50 to 100 ft | | 3/4" | 1-1/8" | 1" | 1-1/8" | 1" | 1-1/8" | 1" | --- | 1-1/4" | --- | 1-1/4" | --- |
| 100 to 200 ft | | 1" | 1-1/8" | 1" | --- | 1-1/4" | --- | 1-1/4" | --- | 1-1/4" | --- | 1-1/4" | --- |
| 200 to 300 ft | | 1" | --- | 1-1/4" | --- | 1-1/4" | --- | 1-1/4" | --- | 1-1/4" | --- | 1-1/2" | --- |

HIGH PRESSURE "2-STAGE" SYSTEMS**HIGH PRESSURE NATURAL GAS PIPE SIZING "FIRST STAGE":** (Based upon an inlet gas pressure of 2 psig at a pressure drop of 1 psi)

| Distance from Outlet of 1st Stage Regulator to Inlet of 2nd Stage Regulator | Model | H150FDN | H200FDN | H250FDN | H300FDN | H350FDN | H400FDN |
|---|---------------|----------------------|----------------------|----------------------|----------------------|----------------------|----------------------|
| | btu/hr input | 150,000 | 200,000 | 250,000 | 300,000 | 350,000 | 400,000 |
| | Line Material | Iron or Plastic Pipe | Iron or Plastic Pipe | Iron or Plastic Pipe | Iron or Plastic Pipe | Iron or Plastic Pipe | Iron or Plastic Pipe |
| 0 to 50 ft | | 1/2" | 1/2" | 1/2" | 1/2" | 1/2" | 1/2" |
| 50 to 100 ft | | 1/2" | 1/2" | 1/2" | 1/2" | 3/4" | 3/4" |
| 100 to 150 ft | | 1/2" | 1/2" | 1/2" | 3/4" | 3/4" | 3/4" |

LOW PRESSURE NATURAL GAS PIPE SIZING "SECOND STAGE": (Based upon an inlet gas pressure of 10 in-wc at a pressure drop of 0.5 in-wc)

| Distance from Outlet of 2nd Stage Regulator to Heater Gas Valve Inlet | Model | H150FDN | H200FDN | H250FDN | H300FDN | H350FDN | H400FDN |
|---|---------------|----------------------|----------------------|----------------------|----------------------|----------------------|----------------------|
| | btu/hr input | 150,000 | 200,000 | 250,000 | 300,000 | 350,000 | 400,000 |
| | Line Material | Iron or Plastic Pipe | Iron or Plastic Pipe | Iron or Plastic Pipe | Iron or Plastic Pipe | Iron or Plastic Pipe | Iron or Plastic Pipe |
| 0 to 10 ft | | 3/4" | 3/4" | 3/4" | 3/4" | 3/4" | 3/4" |

USE ONLY HAYWARD GENUINE REPLACEMENT PARTS

It is **VERY IMPORTANT** when installing a propane heater on a 2-stage regulation system to follow the gas line sizing chart below without exception.

HIGH PRESSURE PROPANE GAS PIPE SIZING "FIRST STAGE": (Based upon an inlet gas pressure of 10 psig at a pressure drop of 1 psi)

| Distance from Tank Regulator Outlet to Heater Gas Valve Inlet | Model | H150FDP | | H200FDP | | H250FDP | | H300FDP | | H350FDP | | H400FDP | |
|---|---------------|-----------|--------|-----------|--------|-----------|--------|-----------|--------|-----------|--------|-----------|--------|
| | btu/hr input | 150,000 | | 200,000 | | 250,000 | | 300,000 | | 350,000 | | 400,000 | |
| | Line Material | Iron Pipe | Tubing | Iron Pipe | Tubing | Iron Pipe | Tubing | Iron Pipe | Tubing | Iron Pipe | Tubing | Iron Pipe | Tubing |
| 0 to 50 ft | | 1/2" | 1/2" | 1/2" | 1/2" | 1/2" | 1/2" | 1/2" | 1/2" | 1/2" | 1/2" | 1/2" | 1/2" |
| 50 to 100 ft | | 1/2" | 1/2" | 1/2" | 1/2" | 1/2" | 1/2" | 1/2" | 1/2" | 1/2" | 5/8" | 1/2" | 5/8" |
| 100 to 150 ft | | 1/2" | 1/2" | 1/2" | 1/2" | 1/2" | 1/2" | 1/2" | 5/8" | 1/2" | 5/8" | 1/2" | 5/8" |

LOW PRESSURE PROPANE GAS PIPE SIZING "SECOND STAGE": (Based upon an inlet gas pressure of 11 in-wc at a pressure drop of 0.5 in-wc)

| Distance from Outlet of 2nd Stage Regulator to Heater Gas Valve Inlet | Model | H150FDP | | H200FDP | | H250FDP | | H300FDP | | H350FDP | | H400FDP | |
|---|---------------|-----------|--------|-----------|--------|-----------|--------|-----------|--------|-----------|--------|-----------|--------|
| | btu/hr input | 150,000 | | 200,000 | | 250,000 | | 300,000 | | 350,000 | | 400,000 | |
| | Line Material | Iron Pipe | Tubing | Iron Pipe | Tubing | Iron Pipe | Tubing | Iron Pipe | Tubing | Iron Pipe | Tubing | Iron Pipe | Tubing |
| 0 to 10 ft | | 1/2" | 5/8" | 1/2" | 5/8" | 1/2" | 3/4" | 3/4" | 3/4" | 3/4" | 7/8" | 3/4" | 7/8" |

USE ONLY HAYWARD GENUINE REPLACEMENT PARTS

GAS SUPPLY INSTALLATION:

The heater is shipped from the factory with the gas connection located on the left-hand side of the heater cabinet. Insert the pipe to the gas valve through the grommet in the cabinet side (see Figure 18.) A union should be installed outside the heater cabinet for easy removal of the gas manifold assembly during service.

A CSA certified main gas shutoff valve must be installed outside the cabinet and within 6 feet of the heater. This valve must have an I.D. large enough to supply the proper amount of gas volume to the heater. See Figure 17.

⚠ ATTENTION: Apply joint compound (pipe dope) sparingly and only to the male threads of pipe joints. Do not apply joint compound to the first two threads. Use joint compounds resistant to the action of liquefied petroleum gas. Do not overtighten the gas inlet pipe or damage may result.

⚠ ATTENTION : Do not use flexible appliance connectors on any gas connections unless the connector is CSA approved for outdoor installation, is marked with BTUH capacity (which must be equal to or greater than the heater rated input) and the type of gas (natural or LP).

Reduction of gas supply pipe or tubing to the inlet of the heater gas valve must be made at the valve only and must match the valve inlet size (3/4" NPT).

If more than one appliance is installed on the gas line, consult the local gas company for the proper gas line size.

Questions on the installation of the proper gas line size can be directed to Hayward Technical Service.

NATURAL GAS:

The gas meter must have the capacity to supply enough gas to the pool heater and any other gas appliances if they are on the same pipeline (Example: 225 meter = 225,000 BTUH). If doubt exists as to the meter size, consult the local gas utility for assistance. Hayward will not be responsible for heaters that soot up due to improper meter and gas line sizing resulting in improper gas volume.

PROPANE GAS:

All propane gas tanks must be located outdoors and away from pool/spa structure and in accordance with the standard for storage and handling of propane gas, ANSI/NFPA 58 (latest edition) and applicable local codes. If the propane gas tank is installed underground, the discharge of the regulator vent must be above the highest probable water level.

Propane tanks must have sufficient capacity to provide adequate vaporization for the full capacity of the equipment at the lowest expected temperatures. Consult a propane company expert for correct sizing.

Figure 17

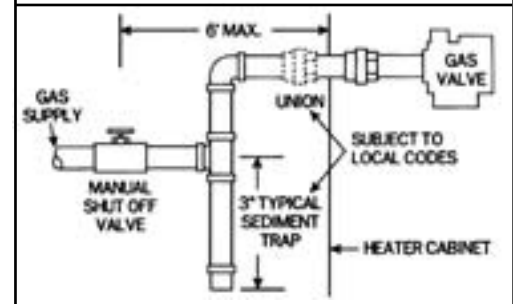
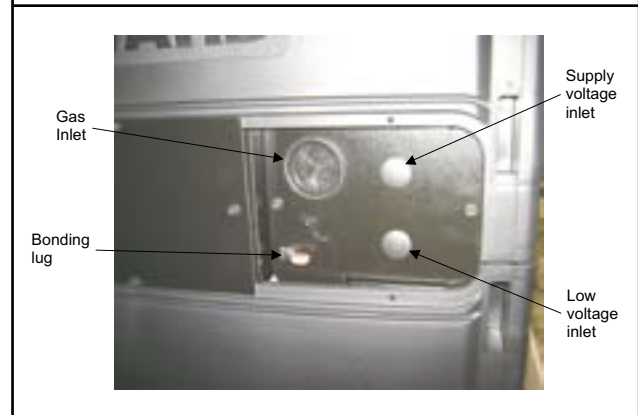


Figure 18



USE ONLY HAYWARD GENUINE REPLACEMENT PARTS

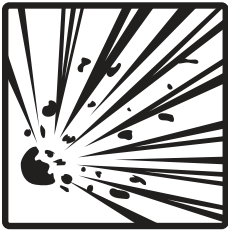
⚠ ATTENTION: Whenever a high-pressure double regulation system is utilized for propane gas, consult a propane expert for accurate pipe and pressure sizing. Make sure that 1st and 2nd stage regulators are large enough to handle the BTUH input listed for the heater(s) being used. Hayward will not be responsible for heaters that soot up due to improper gas line or propane tank sizing resulting in improper gas volume.

WATER PIPING:

The heater is designed for use with pool and spa/hot tub water only, as furnished by municipal water distribution systems. The warranty does not cover heater use with mineral water, seawater (PPM>4000), or other non-potable waters.

Do not install any restriction in the water pipe between the heater outlet and the pool/spa with the exception of:

1. three-way switching valve
2. in-line chlorinator
3. chlorinator check valve



⚠ WARNING: EXPLOSION HAZARD Blockage of water flow from heater return to pool may result in fire or explosion causing property damage, personal injury, or loss of life.

The heater is equipped with CPVC flanged pipe nipples, union nuts, O-rings for use with 2" or 2-1/2" pipe connections. Figure 19 shows the method for installing these parts on the header.

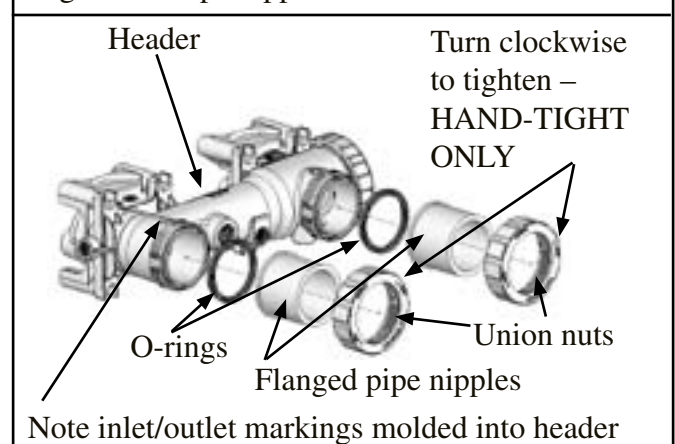
Assemble these parts to heater prior to plumbing. Tighten union nuts securely before gluing fittings to ends of pipe nipples.

The CPVC flanged pipe nipples must be installed on the heater inlet and outlet without modification.

Pipe, fittings, valves, and any other element of the filter system may be made of plastic materials, if acceptable to the authority having jurisdiction.

Heat sinks, heat tapes, firemen switches, and check valves are not required on the heater. However, if there is any chance of "back-siphoning" of hot water when the pump stops running, it is suggested that a check valve be used on the heater inlet pipe.

Figure 19: Pipe nipple



The built-in bypass inside the header will maintain proper flow through the heat exchanger if the flow rate is within the range for the heater. See Figure 20.

The minimum flow rate is to be calculated or measured with the in-floor cleaning system in use, if the pool is so equipped, as well as any other jets or other demands on the water flow.

USE ONLY HAYWARD GENUINE REPLACEMENT PARTS

If the normal pump and filter system flow rate exceeds 125 gpm then a manual bypass valve must be installed as shown in Figure 21. Damage caused by flow rates outside this range will void the manufacturer’s warranty.

The installation is as follows:

1. Install a flow meter on the outlet line of the heater.
2. Adjust the manual bypass valve until the flow rate is within the flow rate range specified for the heater.
3. Once the valve is set, note the position and remove the valve handle to prevent further adjustment.

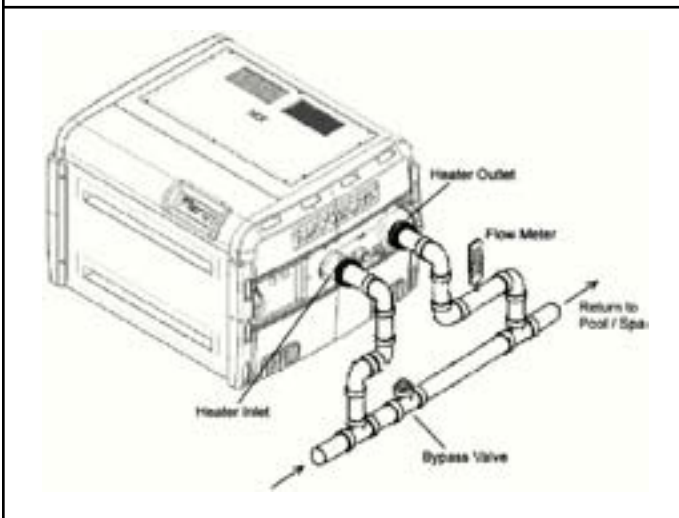
| Figure 20 Allowable Water Flow Rate Range | | |
|--|-------------------------|-------------------------|
| Model | Minimum Flow Rate (GPM) | Maximum Flow Rate (GPM) |
| H150FD H200FD | 20 | 125 |
| H250FD H300FD | 25 | 125 |
| H350FD H400FD | 30 | 125 |

ATTENTION: Improperly adjusted manual bypass valves will result in damage to the heater if the flow rates are not maintained as specified in Figure 20 under all operating conditions. The heat exchanger will fail and this damage will not be covered under the Hayward warranty.

Figure 22 illustrates a typical pool piping diagram and layout for the pool equipment.

Figure 23 illustrates a multiple heater installation for very large pools with and without a manual bypass valve.

Figure 21: Manual Bypass valve



USE ONLY HAYWARD GENUINE REPLACEMENT PARTS

Figure 22: Typical plumbing to pool

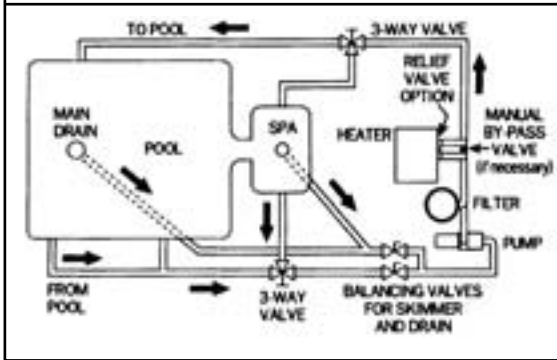
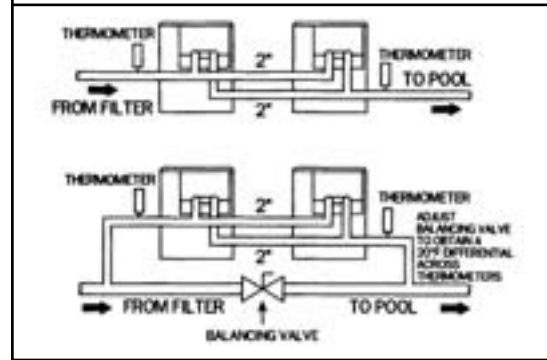


Figure 23: Multiple heater system



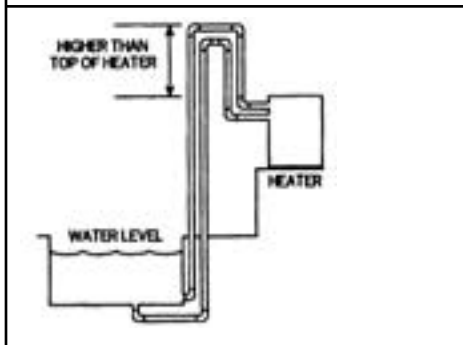
INSTALLATION ABOVE POOL/SPA SURFACE:

If the heater is installed less than three (3) feet above the surface of the pool/spa water, install eyeball fittings or directional flow fittings on the end of the return water line to the pool/spa to create adequate back pressure at the heater to operate the pressure safety switch when the filter pump is running.

If the heater is installed more than three (3) feet above the surface of the pool/spa water, install a loop as shown in Figure 24 to prevent drainage of water in the heater during a filter change.

For installation below the pool/spa surface, refer to Section III.

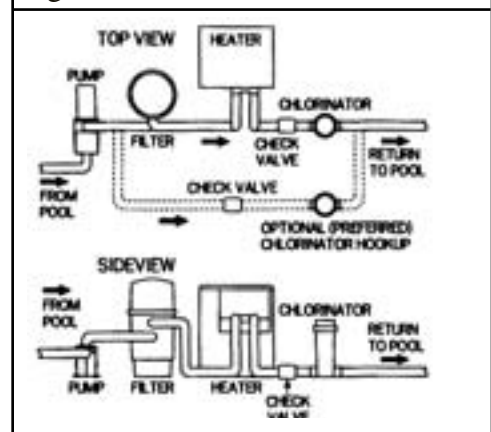
Figure 24: Heater installation above pool/spa



AUTOMATIC CHLORINATORS AND CHEMICAL FEEDERS:

If used, a chlorinator must be installed downstream from the heater in the pool return line and at a lower elevation than the heater as shown in Figure 25. Install a separate positive seal corrosion resistant check valve between the heater outlet and the chlorinator to prevent highly concentrated sanitizers from backsiphoning into the heater. Back-siphoning usually occurs when the pump is shut off and a pressure differential is created.

Figure 25: Automatic chlorinator



USE ONLY HAYWARD GENUINE REPLACEMENT PARTS

PRESSURE RELIEF VALVE:

It may be necessary to install a pressure relief valve to conform with local building codes. A $\frac{3}{4}$ " pressure relief valve with a discharge capacity greater than or equal to the BTUH input of the heater and a pressure relief rating less than the heater working pressure is recommended. See the heater rating plate located on the base pan inside the front access panel for the input rating and working pressure.

A $\frac{3}{4}$ " NPT connection is provided in the header for installation of a pressure relief valve (see Figure 36). Install the valve directly to the header in a horizontal position with the discharge connection facing the ground. Connect a pipe (of the same size as the valve outlet) to the outlet and run it to a safe place of discharge. Do not install any shut-off or restriction in this drain line.

ELECTRICAL SPECIFICATIONS :



WARNING: It is required that licensed electricians do all electrical wiring. Risk of Electric Shock. Hazardous voltage can shock, burn, and cause death or serious property damage. To reduce the risk of electric shock, do NOT use an extension cord to connect unit to electric supply. Provide a properly located electrical receptacle. All electrical wiring MUST be in conformance with applicable local and national codes and regulations. Before working on heater, turn off power supply.

GENERAL INFORMATION :

Wiring connections must be made as shown in the wiring diagram found inside the heater cabinet, and as shown in Figure 28. The heater must include a definite means of grounding and bonding. There is a ground lug inside the control box and a bonding lug on the side of the heater.

MAIN POWER :



WARNING - Power connections supplied to the heater must be in accordance with National Electric Code (NEC) and local electric codes. The NEC contains no standards requiring Ground-Fault Interruption protection (via GFI Circuit Breaker or otherwise) of "Fixed" or "Stationary" equipment, under article 680: Swimming Pools, Fountains, & Similar Installations.

BONDING :



CAUTION - This heater must be connected to a bonding grid with a solid copper conductor wire gauge 8 AWG or larger. All Hayward heaters are designed for copper conductors only. The National Electrical Code (NEC), and most other codes require that all metallic components of a pool structure, including reinforcing steel, metal fittings and above ground equipment, be bonded together with a solid copper conductor wire gauge 8 AWG or larger. The heater, along with pumps and other pool equipment must be connected to this bonding grid. A bonding lug is provided on the side of the heater to ensure that this requirement is met.

USE ONLY HAYWARD GENUINE REPLACEMENT PARTS

ELECTRICAL CONNECTIONS:

The heater is equipped with a hot surface ignition control system that automatically lights the burners. An external power supply is required to power the control system.

The heater is shipped from the factory wired for use with 240VAC, 60 Hz field power supply. To convert the heater to 120VAC, 60 Hz operation remove the 240VAC voltage selector jumper from the ignition control board and replace it with the 120VAC jumper. These jumpers are tie-wrapped together and are located on the fuse board. See Figure 26.

All wiring connections to the heater must be made in accordance with the latest edition of the National Electrical Code ANSI/NFPA 70, unless local code requirements specify otherwise. In Canada, follow CSA C22.1 Canadian Electrical Code, Part 1.

The heater must be electrically grounded and bonded in accordance with local codes or, in the absence of local codes, with National Electrical Code, ANSI/NFPA 70.

The heater may be installed with the electrical service and remote control entering the heater cabinet on either the left or right sides of the heater.

The heater is equipped with (4) openings for electrical entry. Any unused openings must be plugged (these are supplied).

Field power wiring connections are to be made to the terminal block located in the upper compartment inside the junction box (see Figures 27 and 29). The heater has 2 junction boxes (one on each side of the heater). Only one junction box should be used for field power wiring.

Figure 26: Ignition Control Board and Fuse Board

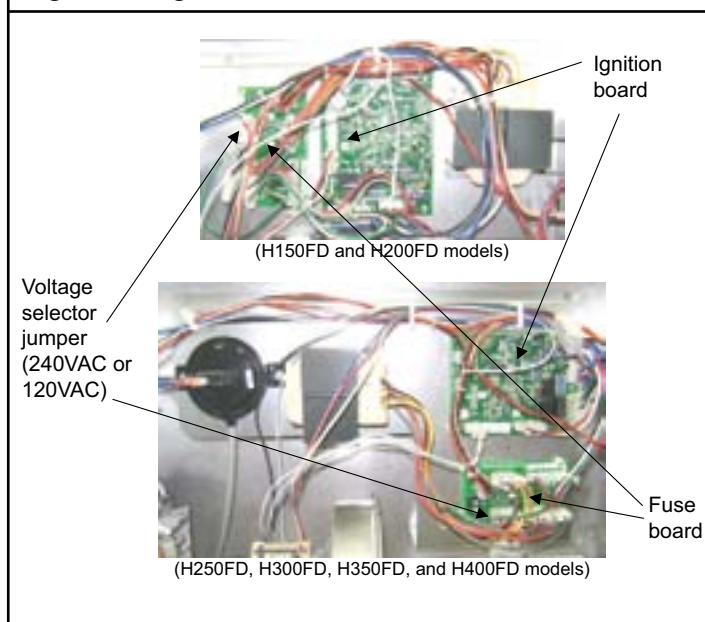
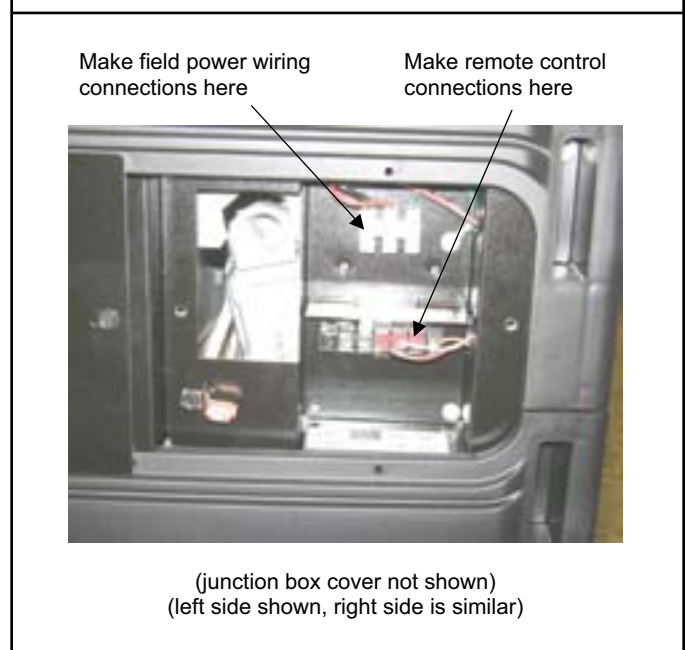


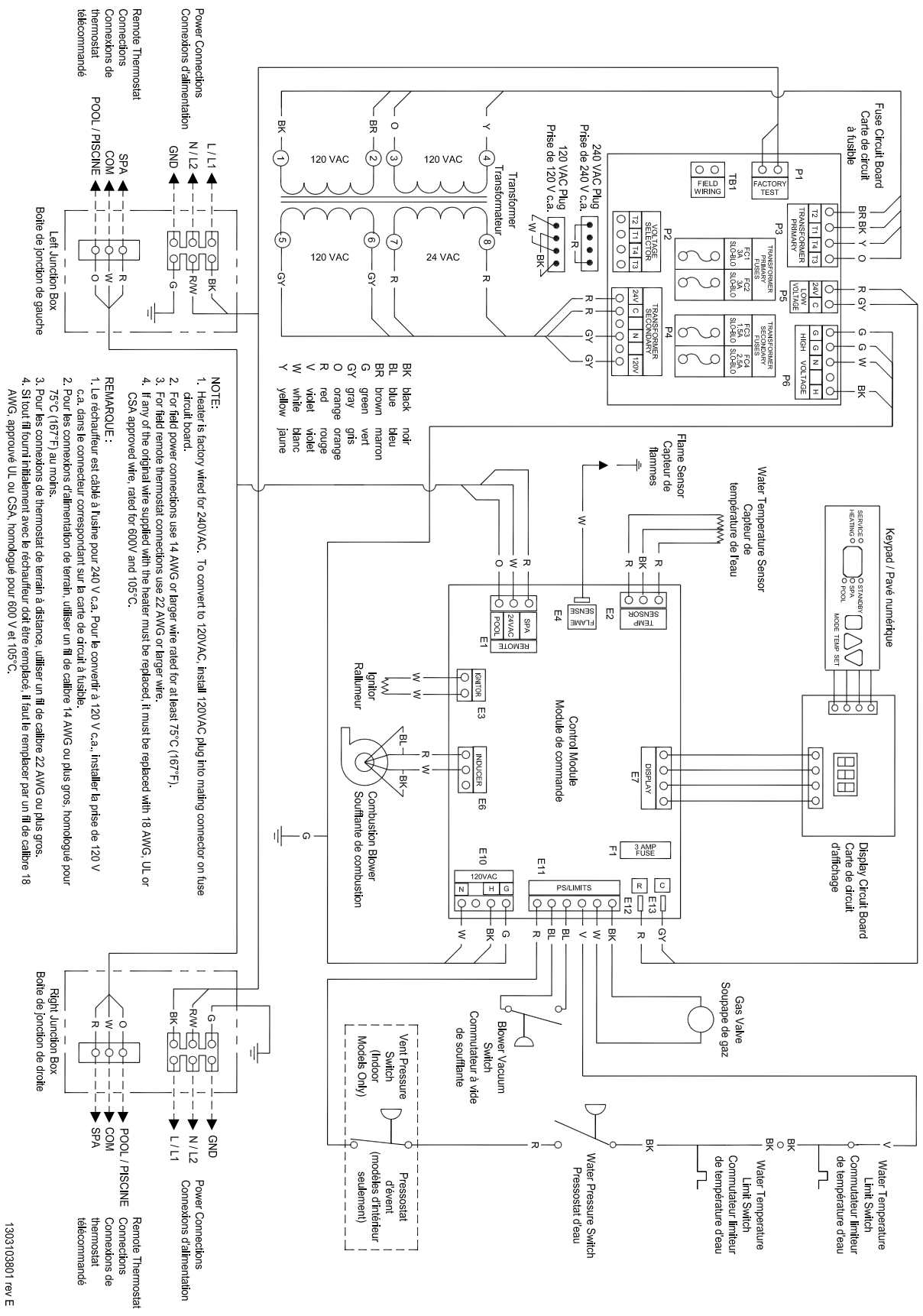
Figure 27: Location of field power wiring terminal block and remote control terminal block



USE ONLY HAYWARD GENUINE REPLACEMENT PARTS

Figure 28: Wiring connection diagram.

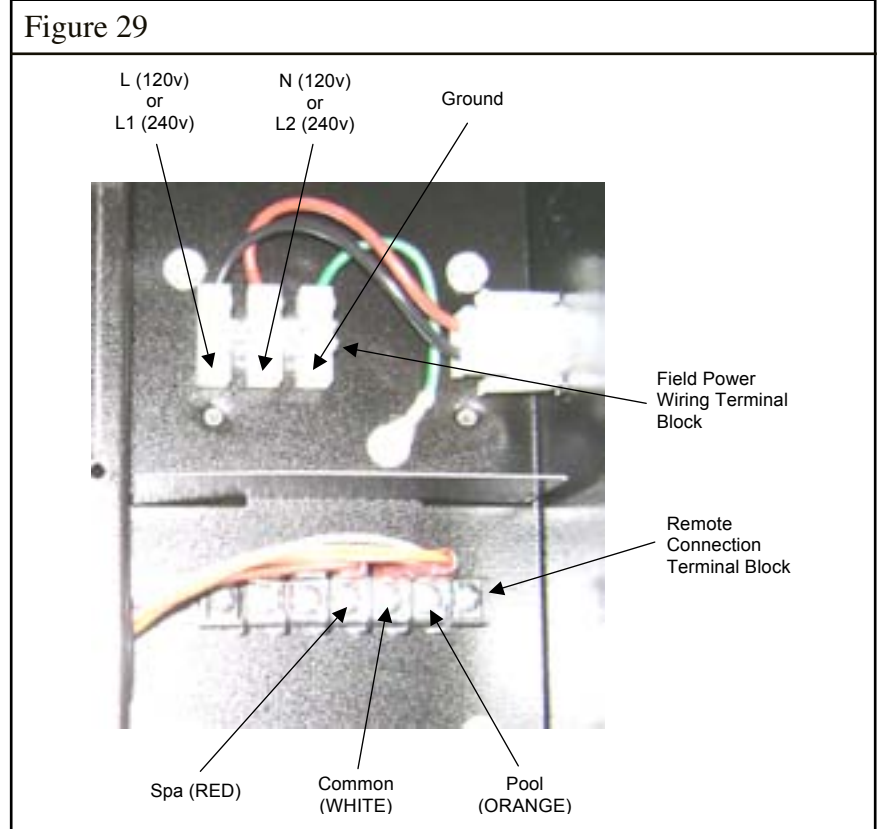
Wiring Connection Diagram / Schéma de Connexion de Câblage
H150FD, H200FD, H250FD, H300FD, H350FD, H400FD



- NOTE:**
1. Heater is factory wired for 240VAC. To convert to 120VAC, install 120VAC plug into mating connector on fuse circuit board.
 2. For field power connections use 14 AWG or larger wire rated for at least 75°C (167°F).
 3. For field remote thermostat connections use 22 AWG or larger wire.
 4. If any of the original wire supplied with the heater must be replaced, it must be replaced with 18 AWG, UL or CSA approved wire, rated for 600V and 105°C.
- REMARQUE :**
1. Le réchauffeur est câblé à l'usine pour 240 V c.a. Pour le convertir à 120 V c.a., installer la prise de 120 V c.a. dans le connecteur correspondant sur la carte de circuit à fusible.
 2. Pour les connexions d'alimentation de terrain, utiliser un fil de calibre 14 AWG ou plus gros, homologué pour 75°C (167°F) au moins.
 3. Pour les connexions de thermostat de terrain à distance, utiliser un fil de calibre 22 AWG ou plus gros.
 4. Si tout fil fourni initialement avec le réchauffeur doit être remplacé, il faut le remplacer par un fil de calibre 18 AWG, approuvé UL ou CSA, homologué pour 600 V et 105°C.

REMOTE CONTROL CONNECTION:

The heater is equipped for connection to an external 2-wire remote thermostat or a 3-wire remote switch. A 2-wire thermostat has its own temperature sensor for regulating water temperature. A 3-wire remote switch allows the “POOL” or “SPA” models to be remotely selected. Connect remote wiring to the terminal block located in the lower compartment inside the junction box (see Figures 27 and 29). The heater has 2 junction boxes (one on each side of the heater). Only one junction box should be used for remote wiring. Do not remove the wires connected to the remote connection terminal block. Remote wiring must be run in a separate conduit. Use 22 AWG wire for runs less than 30 feet. Use 20 AWG wire for runs over 30 feet. The maximum allowable run is 200 feet.



2-WIRE REMOTE CONTROL CONNECTION:

To configure the heater for 2-wire remote thermostat control, use the “MODE” key on the heater keypad to put the control into “STANDBY” mode. Then press and hold both the “DOWN” and “MODE” keys for 3 seconds until the display shows the code “bo”.

On the remote control wiring terminal block (Figure 29), connect the appropriate wires from the remote control to the terminals adjacent to the ORANGE wire (“POOL”) and WHITE wire (“24V”).

To operate the heater by remote thermostat, the heater’s control must be in either “POOL” or “SPA” mode. The display will show “bo”. The “POOL” or “SPA” LED will be illuminated. The remote thermostat will operate the heater. The heater’s thermostat will function to limit the water temperature to a maximum of 104°F.

3-WIRE REMOTE CONTROL CONNECTION:

On the remote control wiring terminal block (Figure 29), connect the appropriate wires from the remote control to the terminals adjacent to the ORANGE wire (“POOL”), WHITE wire (“24V”), and RED wire (“SPA”). To operate the heater with a remote 3-wire switch, the heater’s control must be in “STANDBY” mode. The “STANDBY” LED will be illuminated. When the remote switch is set to “Pool/Low” the “POOL” LED will be illuminated and the water temperature will be displayed. When the remote switch is set to “Spa/High” the “SPA” LED will be illuminated and the water temperature will be displayed. The heater will use its internal thermostat to regulate the water temperature to the set point of the mode selected.

USE ONLY HAYWARD GENUINE REPLACEMENT PARTS

Figure 30:
Lighting &
Operating
Instructions
label

FOR YOUR SAFETY READ BEFORE LIGHTING

WARNING: If you do not follow these instructions exactly, a fire or explosion may result causing property damage, personal injury or loss of life.


- This appliance does not have a pilot. It is equipped with an ignition device which automatically lights the burners. Do **not** try to light the burners by hand.
- BEFORE LIGHTING** smell all around the appliance area for gas. Be sure to smell next to the floor because some gas is heavier than air and will settle on the floor.
WHAT TO DO IF YOU SMELL GAS
 - Do not try to light any appliances.
 - Do not touch any electric switch; do not use any phone in your building.
 - Immediately call your gas supplier from a neighbor's phone. Follow the gas supplier's instructions.
 - If you cannot reach your gas supplier, call the fire department.
- Use only your hand to turn the gas control knob. Never use tools. If the knob will not turn by hand, don't try to repair it; call a qualified service technician. Force or attempted repair may result in a fire or explosion.
- Do not use this appliance if any part has been under water. Immediately call a qualified service technician to inspect the appliance and to replace any part of the control system and any gas control which has been under water.
- Should over-heating occur, or the gas supply fails to shut off, turn off manual gas valve to the appliance.

POUR VOTRE SÉCURITÉ LIRE AVANT L'ALLUMAGE

MISE EN GARDE: Si vous ne suivez pas exactement ces instructions, un incendie ou une explosion pourrait survenir et causer des dommages à la propriété, des blessures corporelles ou la perte de la vie.

- Cet appareil n'a pas de pilote. Un mécanisme d'allumage automatique pour les brûleurs. **N'essayer** pas d'allumer les brûleurs à la main.
- AVANT L'ALLUMAGE**, sentir tout autour de l'appareil pour déceler d'éventuelles odeurs de gaz. S'assurer de sentir près du plancher parce que les gaz plus lourds que l'air, se concentrent au niveau du plancher.
QUE FAIRE EN PRÉSENCE D'ODEURS DE GAZ:
 - Ne pas essayer d'allumer l'appareil.
 - Ne pas toucher à un commutateur électrique; Ne pas utiliser le téléphone dans la maison.
 - Appeler immédiatement fournisseur de gaz chez un voisin. Suivre les instructions du fournisseur de gaz.
 - Si le fournisseur ne peut pas être atteint, appeler le service des incendies.
- Utiliser uniquement les mains pour actionner les boutons de commande du gaz. Ne jamais utiliser d'outils. Si le bouton ne s'enfonce pas ou ne se tourne pas à la main, ne pas essayer de le réparer. Appeler un technicien qualifié. L'utilisation de la force ou une tentative de réparation pourrait causer un incendie ou une explosion.
- Ne pas utiliser cet appareil si une des composantes a été immergée dans l'eau. Appeler immédiatement un technicien qualifié pour vérifier l'appareil et remplacer toute composante du système de commande ou de gaz qui aurait été immergée dans l'eau.
- Si le système surchauffait ou si le gaz refusait de se fermer, placer le robinet d'arrêt manuel de gaz de l'appareil en position "FERMÉ" (OFF).


OPERATING INSTRUCTIONS

- STOP!** Read the safety information on this label.
- Change the "MODE" on the control panel to "STANDBY".
- Remove the heater's front access panel.
- This appliance is equipped with an ignition device which automatically lights the burner. Do not try to light the burners by hand.
- Turn gas control knob clockwise  to "OFF".

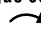
GAS CONTROL
KNOB SHOWN
IN "OFF"
POSITION




- Wait five (5) minutes to clear out any gas. If you then smell gas, STOP! Follow "B" in the

- safety information on this label. If you don't smell gas, go to the next step.
- Turn gas control knob  counterclockwise to "ON".
 - Replace the heater's front access panel.
 - Set the "MODE" on the control panel to "SPA" or "POOL".
 - Set the set point temperature on the control panel to the desired setting.
 - If the appliance does not operate, repeat steps 2 thru 10. If the appliance still does not operate, follow instructions "TO TURN OFF GAS TO APPLIANCE" and call your service technician or gas supplier.

TO TURN OFF GAS TO APPLIANCE

- Change the "MODE" on the control panel to "STANDBY".
- Remove the heater's front access panel.
- Turn the gas control knob clockwise  to "OFF".
- Replace the heater's front access panel.


INSTRUCTIONS D'ALLUMAGE

- STOP!** Lire les consignes de sécurité sur cette étiquette.
- Changer le MODE du tableau de commande à STANDBY.
- Retirer le panneau d'accès avant de l'appareil de chauffage.
- Cet appareil est pourvu d'un dispositif d'allumage qui allume automatiquement les brûleurs. Ne pas tenter d'allumer manuellement les brûleurs.
- Tourner le bouton de commande du gaz en sens  horaire à OFF (fermé).

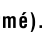
BOUTON DE
COMMANDE
DE GAZ MONTRÉ
EN POSITION
"FERMÉ" (OFF)



- Attendre cinq (5) minutes que tout gaz se dissipe. Arrêter si l'on sent alors une odeur de gaz. Suivre B dans les consignes de sécurité de cette étiquette.

- Passer à l'étape suivante en l'absence d'odeur de gaz.
- Tourner le bouton de commande du gaz en sens anti-horaire à ON (OUVERT). 
 - Replacer le panneau d'accès avant de l'appareil de chauffage.
 - Régler le MODE du tableau de commande à SPA ou à POOL.
 - Établir la valeur de réglage sur le tableau de commande à la température désirée.
 - Si l'appareil ne fonctionne pas, répéter les étapes 2 à 10. Si l'appareil refuse toujours de "FERMÉ" fonctionner, dissipe. Suivre les instructions *Pour tourner le gaz à l'appareil* et appeler votre technicien de service ou votre fournisseur de gaz.

POUR FERMER LE GAZ SUR L'APPAREIL

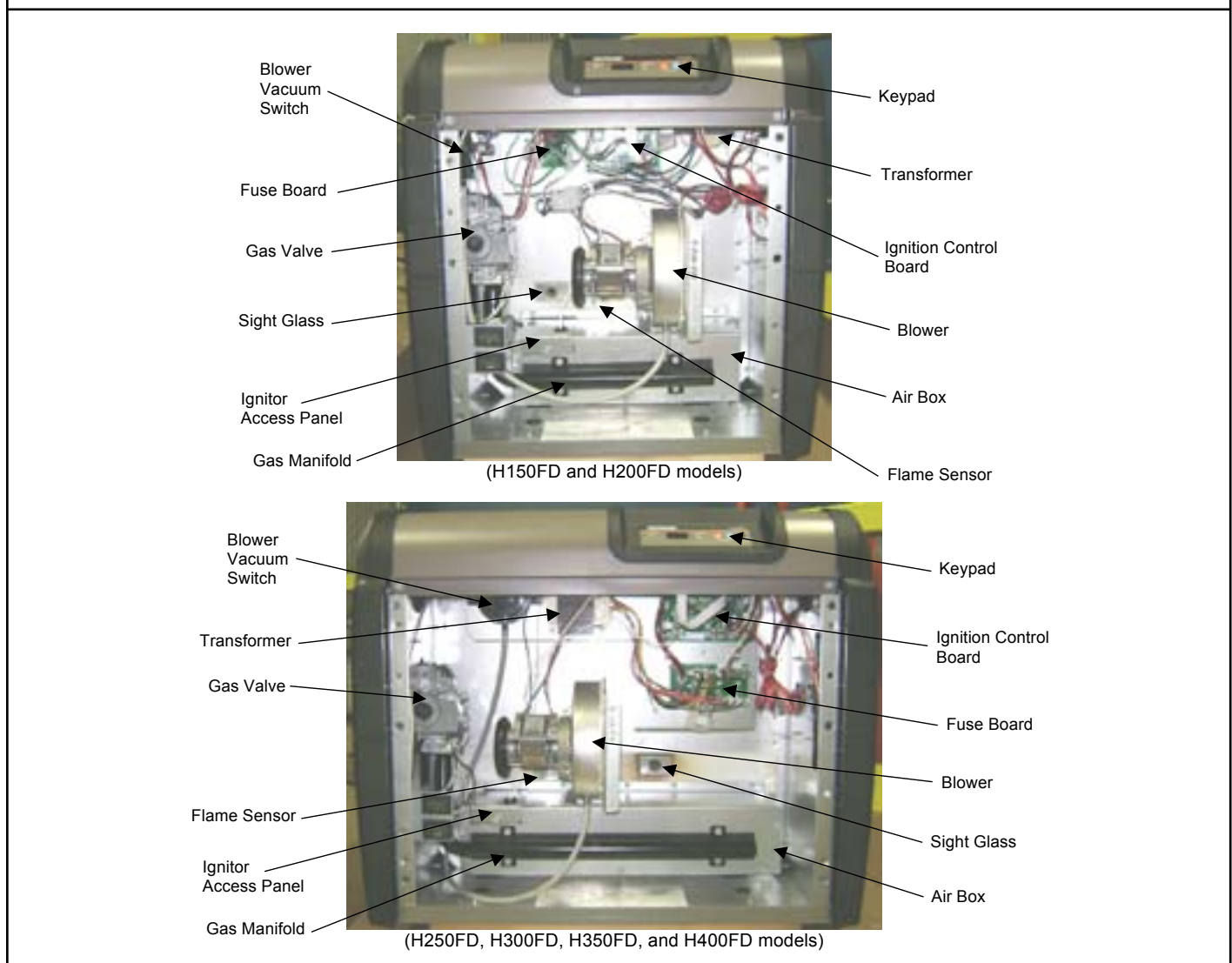
- Changer le MODE du tableau de commande à STANDBY.
- Retirer le panneau d'accès avant de l'appareil de chauffage.
- Tourner le bouton de commande du gaz en sens horaire  à OFF (fermé).
- Replacer le panneau d'accès avant de l'appareil de chauffage.

SECTION III. INSTALLER CHECK-OUT AND START-UP GENERAL:

Some of the following procedures will require the heater to be operating. Full lighting and shutdown instructions are included on the lighting and operating label affixed to the inside of the front access panel. The heater automatically lights in response to a call for heat, and automatically shuts down when that call for heat is satisfied.

Water must be flowing through the heater during operation. Check that the pump is operating and the system is filled with water and purged of all air prior to starting the heater.

Figure 31: Location of components

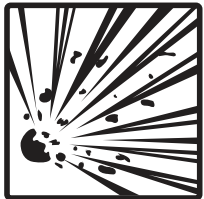


GAS LINE TESTING:

The appliance and its gas connection must be leak tested before placing the appliance in operation. The heater and its individual shutoff valve must be disconnected from the gas supply during any pressure testing of that system at test pressure in excess of $\frac{1}{2}$ psig (3.45 kPa). The heater must be isolated from the gas supply piping system by closing its individual manual shutoff valve during any pressure testing of the gas supply piping system at test pressure equal to or less than $\frac{1}{2}$ psig (3.45 kPa).

Gas supply line must be capped when not connected. After pressure testing, reconnect the gas piping to the gas valve. Turn gas supply "ON" and test all pipe and tubing joints for leaks. Use a soap and water solution.

USE ONLY HAYWARD GENUINE REPLACEMENT PARTS



WARNING: EXPLOSIVE HAZARD. The use of an open flame to check for gas leaks could cause an explosion resulting in severe injury and/ or death. Shut off gas and fix even the smallest leak right away. Be sure to leak test the heater gas manifold fittings using the above procedure once the heater is in operation.

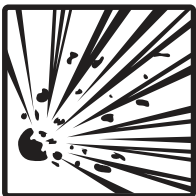
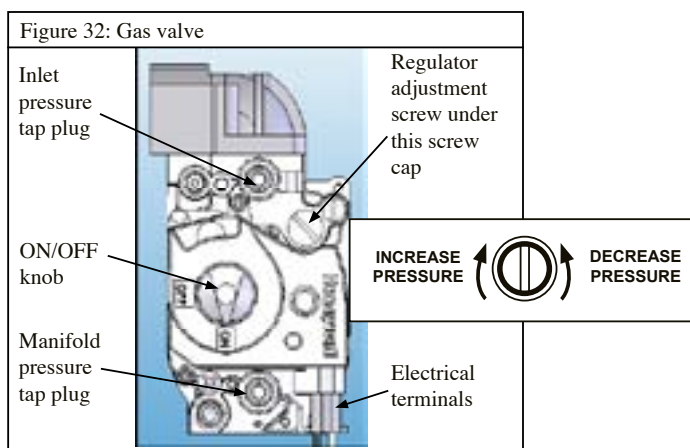
GAS PRESSURE TESTING:

The following gas pressure requirements are important to the proper operation of the burners in gas heaters. Improper gas pressure or gas volume will create the following conditions:

1. Flame burns totally yellow.
2. Flame lifts off burner.
3. Heat exchanger soots up. The gas pressure regulator on all heaters is preset at the factory, but the setting should be verified by the installer to ensure proper operation.

If gas pressure is inadequate, check for undersize piping between the gas meter and the heater or for a low-capacity gas meter. Gas pressure test procedure:

1. Obtain the necessary equipment:
 - a. Manometer to read pressure in inches of water column
 - b. 1/8" pipe nipple (1/8" thread x 1" long)
 - c. 3/16" hex wrench
 - d. Flat screwdriver
2. Remove the 1/8" plug from the gas valve.
3. Install the 1/8" pipe nipple into the gas valve.
4. Attach the manometer to the pipe nipple.
5. Turn on the water system and start the heater following the lighting & operating instructions on the label affixed inside the front access panel. If there is more than one pool/spa heater connected to the gas supply line, turn each of those appliances "ON" while testing the heater.
6. Take a pressure reading with the heater running, the value should agree with those in Figure 33. If the pressure is within the range of 1.8" - 2.0" w.c. (natural) or 6.8" - 7.0" w.c. (propane), then no further adjustment is needed.
7. If the gas pressure does not meet the above requirements the regulator must be adjusted.
8. Gas pressure regulator adjustment procedure:
 - a. Remove the screw cap over the regulator adjustment screw (see Figure 32).
 - b. Turn the regulator adjustment screw clockwise to increase pressure and counterclockwise to decrease pressure.
 - c. Replace the screw cap over the regulator adjustment screw.

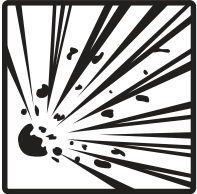


WARNING EXPLOSION HAZARD: Do not remove the 1/8" pipe nipple with the valve in the "ON" position. The valve must be in the "OFF" position when the nipple is removed. Removal of the nipple with the gas valve "on" could cause an explosion resulting in severe injury and/or death.

USE ONLY HAYWARD GENUINE REPLACEMENT PARTS

9. Remove the 1/8" pipe nipple and replace the 1/8" pipe plug. If proper pressure cannot be achieved by adjusting the gas valve regulator, the installer must contact the gas supplier and request that the inlet pressure to the heater be set to within the gas pressure range shown in Figure 33.

| Pressure, in. w.c. | FDN | FDP |
|--------------------|------------------|------------------|
| Fuel | Natural | Propane |
| Manifold | 1.8" - 2.0" w.c. | 6.8" - 7.0" w.c. |
| Inlet, minimum | 4.5" w.c. | 9.0" w.c. |
| Inlet, maximum | 10.5" w.c. | 13.0" w.c. |



WARNING EXPLOSION HAZARD: Gas pressures in excess of those listed in Fig. 33 could cause a gas leak or diaphragm rupture. Gas leakage could cause an explosion resulting in severe injury or death.

WATER PRESSURE SWITCH TEST / ADJUSTMENT PROCEDURE:

The pressure switch is preset at the factory for most typical, deck level installations. When the heater is located above or below the level of the pool or spa, the pressure switch may require adjustment to compensate for the change in static head pressure. The following procedure is recommended when the switch needs adjustment and/or is replaced:

For Installations with Heater Above Water Level:

1. Be sure the filter is clean before making the adjustment.
2. Turn "ON" the filter pump and ensure all air is out of the water lines, and ensure water flow rate is at least the rated minimum (see Figure 20, page 24).
3. Turn "ON" the heater and adjust the thermostat to create a call for heat.
4. If the heater does not light, adjust the pressure switch by turning the adjustment knob on the pressure switch counter-clockwise, until the heater lights. Turning the adjustment knob counterclockwise decreases the pressure needed to close the switch.
5. Check the function of the pressure switch by turning the filter pump on and off several times. The pool heater should turn off immediately when the pump is turned off. Never allow the heater to operate with less than the minimum rated water flow rate.

For Installations with Heater Below Water Level:

1. Be sure the filter is clean before making the adjustment.
2. Turn "ON" the filter pump and ensure all air is out of the water lines, and ensure water flow rate is at least the rated minimum (see Figure 20, page 24).
3. Turn "ON" the heater and adjust the thermostat to create a call for heat.
4. Turn the adjustment knob on the pressure switch clockwise, until the heater turns off, then turn the knob ¼ turn counter-clockwise, so that the heater turns back on. Turning the adjustment knob clockwise increases the pressure needed to close the switch.
5. Check the function of the pressure switch by turning the filter pump on and off several times. The pool heater should turn off immediately when the pump is turned off. Never allow the heater to operate with less than the minimum rated water flow rate.

TWO-SPEED PUMP:

In a few cases the pressure from a two-speed pump is below the 1- pound minimum required to operate the water pressure switch on the heater. This is apparent when the pressure switch cannot be further adjusted. In these cases the pump must be run at high speed to operate the heater. If the pump and piping arrangement are such that the required 1-pound minimum pressure cannot be obtained, do not attempt to operate the heater. Correct the installation.

USE ONLY HAYWARD GENUINE REPLACEMENT PARTS

TEMPERATURE CONTROL OPERATION:

The heater is equipped with a Temperature Control for controlling the pool and spa water temperatures. Individual pool and spa set points can be entered using the keypad (see Figure 27 for the location of the keypad and Figure 35 for a view of the keypad). The control displays the pool or spa water temperature and, if needed, diagnostic information.

Figure 35: Keypad



OPERATION:

SET POINT ADJUSTMENT:

The set point temperature is displayed by pressing the “UP” or “DOWN” buttons while in “POOL” or “SPA” mode. The set point will blink while it is displayed. Further pressing of the “UP” or “DOWN” buttons will adjust the set point temperature up or down as desired. The set point range is between 65°F (18°C) and 104°F (40°C).

FAHRENHEIT VERSUS CELSIUS:

The temperature can be displayed in Fahrenheit or Celsius. TO change the display, use the “MODE” button to place the heater in “STANDBY”. Then press and hold the “UP” and “MODE” buttons until the display shows the °F/°C selection. Press the “DOWN” button to toggle between selections. To accept the selection, press the “MODE” button. If the user does not act, the selection will be automatically accepted after 60 seconds.

HEATING MODE:

The control continually compares the water temperature with the set point and the high limit temperature. When the water temperature is more than 1° below the set point a call for heat is generated and a heating cycle is initiated.

1. The control checks for open contacts at the blower vacuum switch.
2. The control energizes the blower and the igniter. The igniter heat-up time is approximately 20 seconds. The blower is running a pre-purge cycle during this time.
3. The control checks for closed contacts at the blower vacuum switch.
4. When the igniter reaches the proper temperature a 4-second trial for ignition begins. The control opens the gas valve and monitors flame current. The igniter is turned off when flame is sensed or after 4 seconds.
5. The blower vacuum switch, the temperature limit switches, the vent pressure switch, the water pressure switch, the water temperature sensors, and the flame sensor are constantly monitored during a call for heat to assure the heater is operating properly.

USE ONLY HAYWARD GENUINE REPLACEMENT PARTS

6. When the thermostat is satisfied and the call for heat ends the control immediately de-energizes the gas valve. Flame is extinguished.
7. The control operates the blower during a 30-second post-purge period.

FAILURE TO LIGHT – RETRY:

If the first ignition attempt fails during a normal heating cycle the control will make two (2) additional ignition attempts:

1. The control de-energizes the gas valve after the 4-second ignition trial ends.
2. The control operates the blower during a 30-second post-purge period.
3. The control monitors for open contacts at the blower vacuum switch.
4. The control performs a gas valve relay check.
5. A normal ignition sequence resumes with Item #2 in “Heating Mode” (above). If the third ignition trial fails the control enters a safety lockout (or “hard” lockout) after the postpurge period of the third failed trial.
6. The error code “IF” is displayed and the “SERVICE” indicator is illuminated.
 - a. The control automatically resets and clears the “IF” error code without any user intervention after 60 minutes. If there is a call for heat after reset the control will make three (3) trials for ignition. If ignition is not established the control will again enter safety lockout for 60 minutes. This cycle will continue until ignition is established or the call for heat is removed.
 - b. The user can reset the control and clear the “IF” error code by pressing the “MODE” button to move through “STANDBY” and return to the previous mode (“SPA” or “POOL”).

LOSS OF FLAME – RECYCLE:

If flame is established and then lost, the control will make ten (10) attempts at ignition. If flame is lost within ten (10) seconds of ignition the control will respond within 2 seconds. If flame is lost more than ten (10) seconds after ignition the control will respond within 0.8 seconds.

1. The control de-energizes the gas valve and the blower.
2. The control monitors for open contacts at the blower vacuum switch.
3. The control performs a gas valve relay check.
4. A normal ignition sequence resumes with Item #2 in “Heating Mode” (above).
5. If the tenth ignition trial fails the control enters a safety lockout (or “hard” lockout) after the post-purge period of the tenth failed trial.
6. The error code “IF” is displayed and the “SERVICE” indicator is illuminated.
 - a. The control automatically resets after 60 minutes. If there is a call for heat after reset the control will make three (3) trials for ignition. If ignition is not established the control will again enter safety lockout for 60 minutes. If flame is established but is lost the control will make ten (10) attempts at ignition. This cycle will continue until ignition is established or the call for heat is removed.
 - b. The user can reset the control and clear the “IF” error code by pressing the “MODE” button to move through “STANDBY” and return to the previous mode (“SPA” or “POOL”).

KEYPAD INPUTS:

The control accepts user inputs via the keypad on the front panel.

1. When changing the mode from “STANDBY” to either “SPA” or “POOL” there may be up to a 10-second delay for the blower fan to begin running. The control performs an internal self-test and then verifies that the blower vacuum switch contacts are open before energizing the blower.
2. It is normal for the heater to display a 1- to 2-second delay in responding to any keypad input.

USE ONLY HAYWARD GENUINE REPLACEMENT PARTS

3. It is normal for the heater to display up to a 5-second delay when the keypad is used to reset the control to clear an error code.
4. The control will accept a mode change during lockout after 5 seconds. The control will continue to display the error code and remain in lockout until it is reset. At reset the control will go to the last saved mode.

AUTOMATIC RESET TIME:

The heater will automatically reset when an error condition is corrected and resume operation as detailed in the table below. The heater can be manually reset using the keypad by cycling the mode button through “STANDBY” and back to the original operating mode (“SPA” or “POOL”).

PERIODIC INSPECTION:

The heater is designed and built for long performance life when installed and operated according to the manufacturer’s directions. Regular inspection by qualified service personnel is recommended to keep the heater working properly. The following inspection points are suggested to help maximize heater life.

1. Periodically check the venting on outdoor heaters. The heater’s venting areas (the louvered top panel) must never be obstructed in any way and minimum clearances must be observed to prevent restriction of combustion and ventilation air. Remember that shrubs grow and in time may obstruct a heater’s venting areas.
2. Check the venting of indoor heaters for looseness and possible leaks. Keep all openings for combustion and ventilation air clear and unobstructed.
3. Keep the entire pool heater area clean and free of all debris, combustible materials, gasoline, and other flammable vapors and liquids. Remove any leaves or paper from around the heater.
4. Do not store chlorine, other pool chemicals, or other corrosives in the vicinity of the heater.
5. If the heater is operating on propane gas, the tank must not fall below 30% full or damage to the heater may occur. Hayward will not be responsible for heaters that soot up due to improper gas level in the tank resulting in inadequate gas volume.
6. If another appliance is added to the gas line at a later date, consult the local gas company to be sure the gas line will have the capacity to supply both units at full input rating at the same time.
7. Do not use the heater if any part has been under water. Contact a qualified service technician to inspect the entire heater and replace any part of the control system or gas valve that was under water. If heater has been totally submerged in water it must be removed and the entire heater must be replaced.
8. An inspection program is a good preventative maintenance measure. Keep this manual in a safe place for future reference for yourself as well as for a service technician to consult when inspecting or servicing the heater. Additional inspection procedures to be performed by a qualified service technician are covered in Section VI of this manual.

WINTERIZATION:

In moderate climates, the heater can continue to operate during short-term cold spells. Do not use the heater to maintain the water temperature just above freezing or for freeze protection. Care must be taken to avoid freeze-up in the heater. When it is used during freezing weather, the pump must run continuously. The heater is not warranted against freeze-ups. In regions where freezing temperatures are encountered, all water must be drained from the heater when it is out of service, to prevent damage to the heater and piping. Draining the heat exchanger is recommended as part of the season’s shutdown procedures.

USE ONLY HAYWARD GENUINE REPLACEMENT PARTS

⚠ ATTENTION: A heater damaged by freezing is not covered under the Hayward warranty.

REMOVING THE DRAIN PLUG:

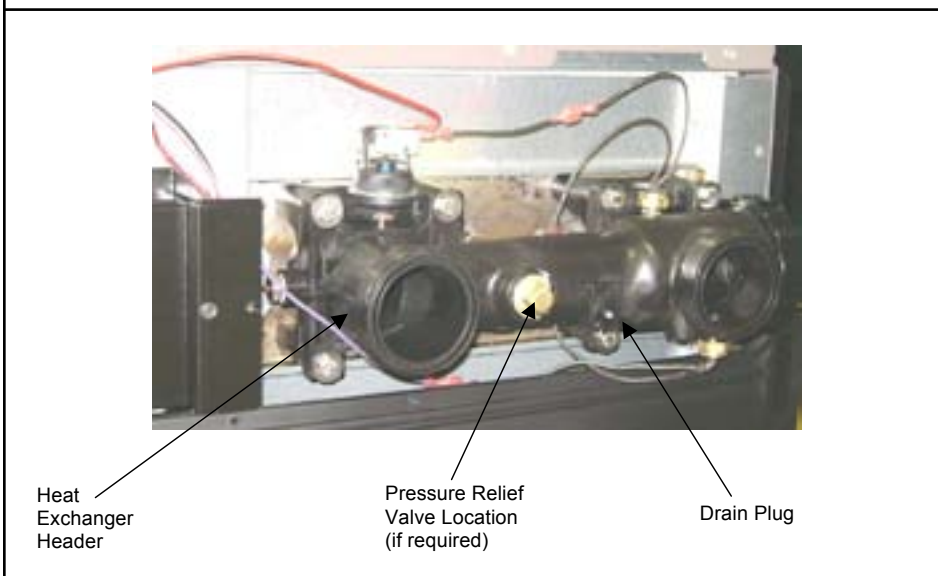
1. This procedure is for above-pool installations only.
2. See Figure 36 for the location of the drain valve on the header.
3. Set the keypad to “STANDBY”.
4. Turn the electricity “OFF” at the circuit breaker.
5. Turn the heater gas valve “OFF” using the knob on the valve.
6. Turn the heater’s gas supply “OFF” at the main shut-off valve outside the heater cabinet.
7. Be sure the circulating pump is “OFF”.
8. Remove the drain plug from the header and allow all water to drain from the heater.
9. Reinstall the drain plug.

SPRING START-UP:

1. Inspect and clean the heater, being sure the heater is free of leaves and debris prior to startup.
2. Be sure inlet and outlet piping are properly attached to the heater and the drain valve is closed.
3. Turn the filtration system pump “ON” and allow the system to run long enough to purge all the air from the lines.
4. Turn the gas supply to the heater “ON”.
5. Set the temperature control using the keypad to “POOL” or “SPA” and adjust the set point to the desired temperature setting.
6. If operating difficulties are encountered, contact a qualified service company for assistance.

⚠ ATTENTION: Heater installation, checkout, and start-up should now be completed. BE SURE to leave the Owner’s Manual with the pool owner.

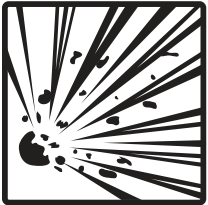
Figure 36: Drain plug and relief valve location



USE ONLY HAYWARD GENUINE REPLACEMENT PARTS

GENERAL:

⚠ ATTENTION: Only qualified service technicians, with appropriate test equipment, should be allowed to service the heater. Bear in mind that all of the components that comprise the system have an effect on heater operation. Before proceeding with heater related troubleshooting tips covered in Section VII, be certain that the pump is operating correctly, the filters and strainers are not blocked, the valves in the piping are properly positioned, and the time clocks are properly set.



⚠ WARNING: EXPLOSION HAZARD Do not attempt to repair any components of this heater. Do not modify the heater in any manner. To do so may result in a malfunction that could result in death, personal injury, or property damage. Check with the consumer to see if any part of the heater has been under water. Replace any part of the control system and any gas control that has been under water.

MAINTENANCE:

The following inspection procedures are recommended to be performed as part of annual heater maintenance and to ensure safe operation.

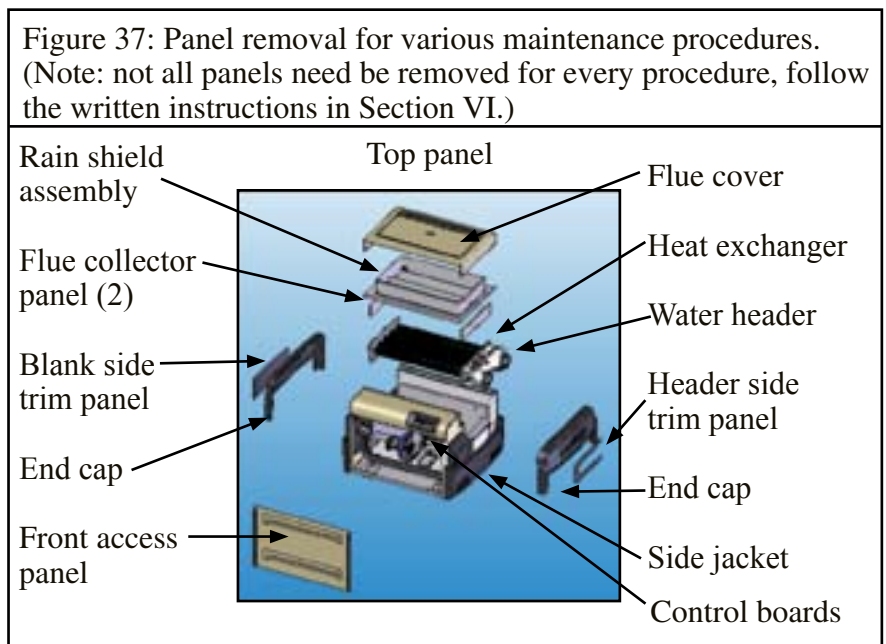
1. External heat exchanger
2. Internal heat exchanger
3. Main burner flame patterns
4. Main burner orifices
5. Operating controls

Inspection procedures are covered below. Some of the procedures will require disconnecting and removing wires in the control compartment. See “Control access”.

CONTROL ACCESS:

To access the operating controls as shown in Figure 37:

1. Remove the (4) screws from the front access panel.
2. Label all wires prior to disconnection when servicing controls.
3. If there are questions when re-connecting the wires, refer to the wiring diagram in Figure 28.
4. Verify proper operation after servicing.
5. After service is complete, assembly is the reverse of Steps 1-2 above.



USE ONLY HAYWARD GENUINE REPLACEMENT PARTS

EXTERNAL HEAT EXCHANGER INSPECTION AND CLEANING:

Remove the heater top and inspect the external surfaces of the heat exchanger for soot accumulation. If soot has accumulated it must be removed by following the recommended procedure.

1. Turn pump, main gas valve, and heater power “OFF”.
2. Remove the trim panels at each end of the heater. Each is secured with (4) screws.
3. Remove upper end caps on both ends of the heater. Each cap is attached with (4) screws, located inside the “slots at the top and sides of the part.
4. Remove the louvered top panel. There are (3) screws at each end of the top panel, and (2) screws in back.
5. Remove the rain shield. There are (12) screws on the top surface of this panel.
6. Remove the flue collector side panels on both ends of the heater. Each panel is secured with (2) screws that are accessed from the outside of the heater.
7. Remove the front access panel. It is secured with (4) screws.
8. Remove the control box cover. It is secured with (2) screws.
9. Disconnect the water pressure switch leads at the switch, which is located on the water header.
10. Disconnect the limit leads at each limit, which are located on the underside of the water header.
11. Disconnect the thermistor lead from the ignition control board inside the control box. Pull it out of the control box and free of the heater chassis.
12. Lift and remove the heat exchanger. Place it on a clean surface.



WARNING: BURN HAZARD Do not use a wire brush to remove soot from the heat exchanger. This could cause a spark and ignite the gases trapped within the soot.

Using a soft-tipped brush such a paintbrush apply a degreaser to the entire heat exchanger surface top and bottom. Allow the heat exchanger to sit for a period of time to allow the degreaser to loosen the soot. Wash the heat exchanger using a garden hose ensuring both the top and bottom surfaces are cleaned. Follow the steps above in reverse order to reinstall the heat exchanger. Although the heat exchanger should be cleaned of soot and reinstalled, the fact that sooting occurred should be investigated, as it may indicate other problems such as:

- Insufficient air supply
- Inadequate venting
- High or low gas pressure
- Blockage of burner tubes or orifices
- Blockage of blower inlet
- Low voltage supply causing blower to “spin” slower
- Improper heater location installation
- Incorrect gas supply pipe size
- Excessive water flow through heat exchanger
- LP tank below 30% full

COMBUSTION CHAMBER:

The combustion chamber is a single-piece casting. If damaged, the entire chamber must be replaced.

HEAT EXCHANGER REMOVAL:

Follow steps 1-12 under “External heat exchanger inspection and cleaning” in this section.

USE ONLY HAYWARD GENUINE REPLACEMENT PARTS



HAYWARD® Pool Products
A Hayward Industries, Inc. Company

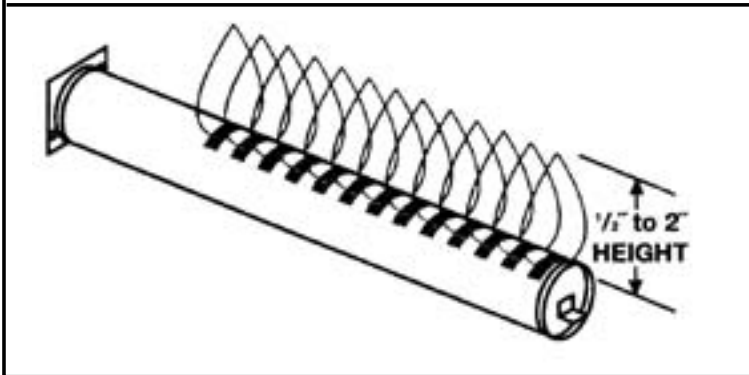
Pomona, CA Clemmons, NC Nashville, TN
Tel: 908-351-5400 www.haywardpool.com

BURNER INSPECTION AND CLEANING:

With the heater “ON”, remove the front access panel and make a visual inspection of the main burners through the sight glass (see Figure 31.) The main burner flames should be about ½” to 2” in height and should not “lift” off the burner ports (see Figure 39).

A normal flame is blue, without yellow tips. Yellow tips or a totally yellow or “lazy” flame may be an indication of a fuel-rich mixture due to restricted air supply. Spider nests in the burner and/or gas orifices may also cause yellow tips.

Figure 39: Burner Flame characteristics



BURNER REMOVAL:

Refer to Figures 31 and 37 as needed.

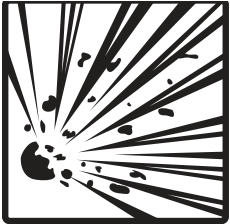
1. Turn pump, gas supply, and heater power “OFF”.
2. Turn gas valve knob “OFF”.
3. Remove the front access panel. It is secured with (4) screws.
4. Disconnect the union joint in the gas supply piping outside the heater cabinet.
5. Disconnect the wiring terminals from the gas valve.
6. Disconnect the wiring terminals from the blower.
7. Remove the gas manifold assembly. It is attached to the air box using (4) screws.
8. Remove the screws from the igniter access panel and pull it out of the way.
Do not disconnect the wires.
9. Remove the air box cover. Do not remove the blower from the air box cover.
10. Remove the (2) screws securing each burner to the combustion chamber front.
11. Pull the burners straight out of the heater.

USE ONLY HAYWARD GENUINE REPLACEMENT PARTS

BURNER INSTALLATION:

Refer to Figure 40 as needed.

1. Reverse the above procedure to install the burners.
2. Turn the gas supply “ON”. Use a soapy water solution to check for leaks.
3. Bubbles forming indicate a leak.
4. To start the heater, follow the instructions on the label inside the front access panel (see Figure 30).



WARNING: EXPLOSION HAZARD The use of an open flame to check for gas leaks could cause an explosion resulting in severe injury and/or death

GAS VALVE REPLACEMENT:

Refer to Figures 40 & 41.

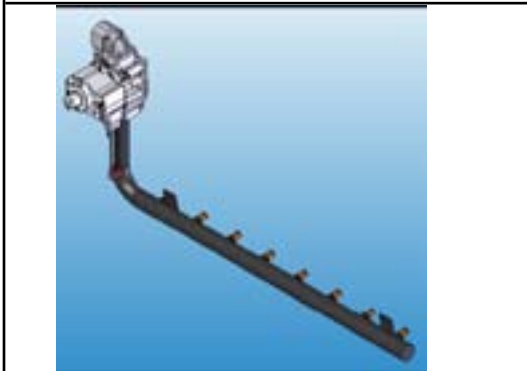


ATTENTION: Do not attempt to repair the gas valve. If found defective, replace the entire valve.

Attempts to repair it will void the warranty.

1. Turn pump, gas supply, and heater power “OFF”.
2. Disconnect the union joint in the gas supply piping outside the heater cabinet.
3. Remove the front access panel. It is secured with (4) screws.
4. Disconnect the wiring terminals from the gas valve.
5. Remove the gas manifold assembly. It is attached to the air box using (4) screws.
6. Unscrew the gas valve (with both 45° elbows still attached) from the gas manifold pipe.
7. Remove the elbows from the valve.
8. Reassemble the gas manifold assembly using the new gas valve. See Figure 41 for the correct orientation of the manifold pipe, pipe elbows, and gas valve. Only use liquid pipe dope on the male threads of the elbows and the gas manifold pipe. Do not place pipe dope on the first two threads of any joint.
9. Complete assembly by reversing steps 1 – 5.

Figure 41: Correct orientation of components of gas manifold assembly



USE ONLY HAYWARD GENUINE REPLACEMENT PARTS

IGNITER:

Refer to Figures 31 and 37. To remove the igniter:

1. Turn pump, gas supply, and heater power “OFF”.
2. Remove the front access panel. It is secured with (4) screws.
3. Remove the control box cover. It is secured with (2) screws.
4. Disconnect the igniter wires from the ignition control board.
5. Pull the igniter wires out of the control box through the opening in the bottom.
6. Remove the screws from the igniter access panel. Working from the underside of the panel, press the bushing out of the hole in the sheet metal panel.
7. Slide the igniter wires through the slot on the panel and pull the panel free.
8. Remove the (2) screws that secure the igniter.
9. Pull the igniter straight back until it is free of the combustion chamber, then out of the air box.
10. Installation is the reverse of steps 1 – 9.

Figure 41: Flame sensor



FLAME SENSOR:

Refer to Figures 31 and 37. To remove the flame sensor:

1. Turn pump, gas supply, and heater power “OFF”.
2. Remove the front access panel (4 screws).
3. Disconnect the wire from the flame sensor.
4. Remove the screw that secures the flame sensor to remove the sensor.
5. Replace the flame sensor by reversing steps 1 – 4.

BURNER ORIFICES:

Refer to Figures 31 and 37 as needed. To remove the igniter:

1. Turn pump, gas supply, and heater power “OFF”.
2. Disconnect the union joint in the gas supply piping outside the heater cabinet.
3. Remove the front access panel. It is secured with (4) screws.
4. Disconnect the wiring terminals from the gas valve.
5. Remove the gas manifold assembly. It is attached to the air box using (4) screws.
6. Remove the orifices using a 7/16” wrench.
7. After cleaning or replacing orifices re-install into the gas manifold pipe being careful not to cross-thread or over tighten as a leak may result.



ATTENTION: Do not enlarge orifice holes.

USE ONLY HAYWARD GENUINE REPLACEMENT PARTS

GAS CONVERSION:

The factory-installed gas train, where appropriate, may be changed from natural gas to propane or from propane to natural gas, using the appropriate conversion kits available from the factory. Gas conversions are to be performed only by a qualified service agency. Detailed instructions are included with each kit.



ATTENTION: Conversion kits are not available in Canada. Conversions must be performed by the conversion station at Hayward Pool Products Canada, Inc.

CONTROL LOCATIONS:

The following sections give a brief overview of the various heater controls and service/replacement procedures. The text describes the function of the controls. See Figure 31.

ELECTRICAL WIRING:



ATTENTION: If it is necessary to replace any of the original wiring, it must be replaced with Hayward supplied replacement parts.

USE ONLY HAYWARD GENUINE REPLACEMENT PARTS



HAYWARD® Pool Products
A Hayward Industries, Inc. Company

Pomona, CA Clemmons, NC Nashville, TN
Tel: 908-351-5400 www.haywardpool.com

IGNITION CONTROL BOARD:

The ignition control board features an integral thermostat and uses special technology and software for optimum performance of a silicon nitride igniter element. See Figure 42. To remove the ignition control board:

1. Turn pump, gas supply, and heater power “OFF”.
2. Remove the front access panel. It is secured with (4) screws. Remove the control box cover. It is secured with (2) screws.
3. Disconnect all wires from the ignition control board.
4. Detach the board from the sheet metal panel.
5. Replace the ignition control board. Reassembly is the reversal of steps 1 – 5.

Figure 43: Display board and keypad:



DISPLAY BOARD AND KEYPAD:

The display board and keypad provide the user interface with the heater. See Figure 43. The replacement part is only available as an assembly. To remove the display board and keypad assembly:

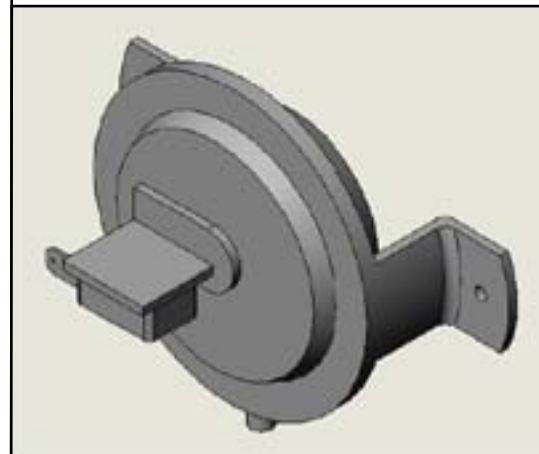
1. Turn pump, gas supply, and heater power “OFF”.
2. Remove the front access panel. It is secured with (4) screws
3. Remove the control box cover. It is secured with (2) screws.
4. Unplug the display connector from the ignition control board.
5. Remove the (2) screws along the lower edge of the bezel that retain the assembly.
6. Pull the assembly forward and then lift it out.
7. Replace the assembly. Reverse steps 1 – 6 to complete the procedure

BLOWER VACUUM SWITCH:

The blower vacuum switch is a safety device that prevents the ignition sequence from continuing unless the blower is developing sufficient airflow for combustion. See Figure 44. When the blower achieves sufficient airflow, the negative pressure created in the blower housing closes the contacts on the blower vacuum switch. This indicates to the ignition control board that it is safe to continue the ignition sequence.

The tubing on the blower vacuum switch should be attached to the blower housing pressure tap that faces the front of the heater.

Figure 44:
Blower vacuum switch



USE ONLY HAYWARD GENUINE REPLACEMENT PARTS

To remove the blower vacuum switch:

1. Turn pump, gas supply, and heater power “OFF”.
2. Remove the front access panel. It is secured with (4) screws
3. Remove the wires from the pressure switch.
4. Pull the tubing from the hose barb on the switch.
5. Remove the (2) screws that secure the pressure switch to the control panel.
6. Replace the switch. Reverse steps 1 – 6 to complete the procedure.

HIGH LIMIT SWITCHES:

The high limit is an automatically resetting safety device wired in series with the thermostat and gas valve. See Figure 45. The heater is equipped with two automatic high limits, located on the water header, below the outlet water connection.

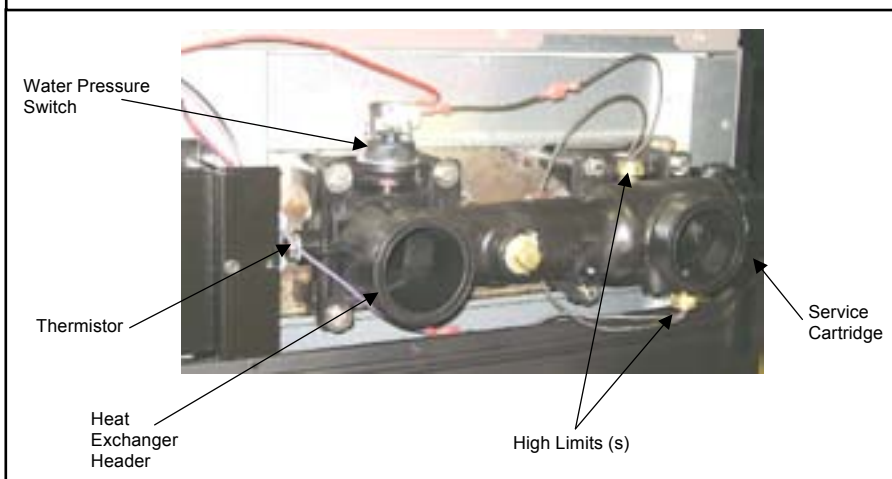
The limits have the same temperature settings and are interchangeable.

If the water temperature exceeds the limit set point, the gas valve will be closed, shutting off gas supply to the burners.

Erratic high limit operation is often an indication of a problem with water flow. Reduced flow may be caused by:

1. Clogged filter or strainer.
2. Excessive flow through the external bypass if one is used.
3. Lime scale accumulation in the heat exchanger.

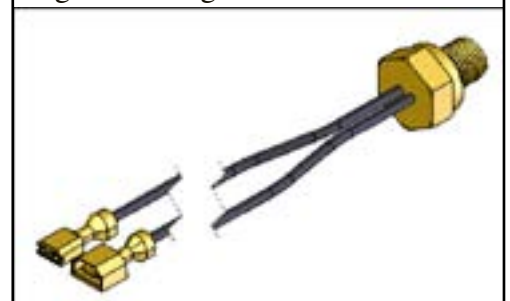
Figure 45: Component locations on header



TO REPLACE A HIGH LIMIT SWITCH:

1. Turn pump, gas supply, and heater power “OFF”.
2. Drain the heat exchanger of all water.
3. Unplug the high limit wires from the wiring harness.
4. Unscrew the high limit switch from the header.
5. Replace the high limit switch. Use new sealant on the high limit switch threads before reinstalling. Reassembly is a reverse of steps 1 – 4.

Figure 46: High Limit Switch



USE ONLY HAYWARD GENUINE REPLACEMENT PARTS

THERMISTOR:

Figure 47: Thermistor



The thermistor monitors the return water temperature. See Figure 47. To replace the thermistor:

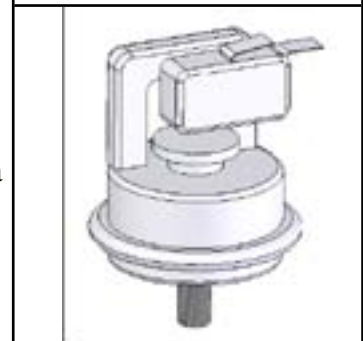
1. Turn pump, gas supply, and heater power “OFF”.
2. Drain the heat exchanger of all water.
3. Remove the front access panel. It is secured with (4) screws
4. Remove the control box cover. It is secured with (2) screws.
5. Unplug the thermistor connector from the ignition control board.
6. From outside the heater, pull the thermistor leads out of the control box and through the hole in the heater chassis.
7. Unscrew the thermistor from the inlet side of the header.
8. Replace the thermistor. Use new sealant on the thermistor threads before re-installing. Reverse steps 1 – 7 to complete the procedure.

WATER PRESSURE SWITCH:

The water pressure switch (Figure 48, see Figure 45 for its location) is factory pre-set for deck-level installations. When the heater is located below the level of the spa or pool, the water pressure switch may require an adjustment to compensate for the no-flow static head. The following procedure is recommended when the switch needs adjustment and/or replacement:

1. Be sure the filter is clean before making any adjustment.
2. With the pump “ON” in either “POOL” or “SPA” mode (the heater is “ON”), turn the adjustment dial on the pressure switch clockwise until a “click” is heard from the gas valve.
3. Turn the adjustment dial counterclockwise ¼ turn.
4. Turn the pump “OFF” and “ON” several times. The heater should shut off immediately when the pump is shut off. If the heater fails to shut down with the pump, repeat the steps above until the switch is adjusted properly.

Figure 48:
Water pressure switch:



ATTENTION: Do not operate the pool heater without the function of a properly adjusted pressure switch or flow switch.

To replace the pressure switch:

1. Turn pump, gas supply, and heater power “OFF”.
2. Unplug the high limit terminals from the main wire harness.
3. Remove the (4) screws securing metal trim panel around the header.
4. Remove the wires from the pressure switch.
5. Using two ½” open-end wrenches disconnect the pressure switch from the pressure switch tubing.
6. Replace the pressure switch. Use new sealant on the pressure switch threads before re-installing.
7. Reverse steps 1 – 5 to complete the procedure.

USE ONLY HAYWARD GENUINE REPLACEMENT PARTS

TRANSFORMER:

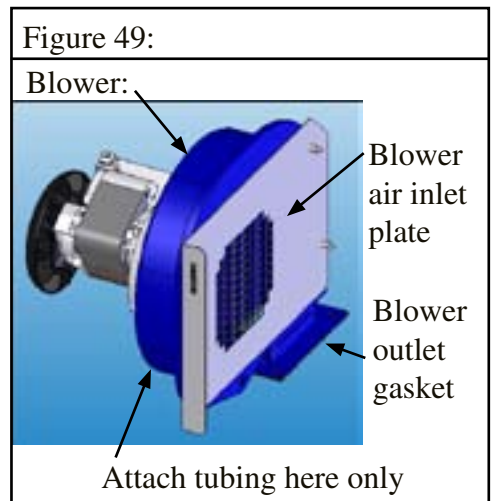
The transformer converts the field supply voltage (either 240 VAC or 120 VAC) to a 120 VAC output for blower and igniter power, and a 24 VAC output for powering the ignition control board, control circuits, and gas valve. See Figure 42 for its location. To replace the transformer:

1. Turn pump, gas supply, and heater power “OFF”.
2. Remove the front access panel. It is secured with (4) screws.
3. Remove the control box cover. It is secured with (2) screws.
4. Disconnect all wires from the transformer leads.
5. Remove the (2) screws that secure the transformer to the control box.
6. Replace the transformer. Reassembly is the reversal of steps 1 – 5.

BLOWER:

The blower provides the air that mixes with the gas at the main burners for the combustion process. The blower operates during the prepurge time (approximately 30 seconds) at the beginning of each ignition cycle, during the entire time the gas valve is open and the burners are firing, and for 30 seconds after the valve gas closes. See Figure 49 and Figure 42 for the location of the blower. To replace the blower:

1. Turn pump, gas supply, and heater power “OFF”.
 2. Remove the front access panel (4 screws).
 3. Remove the control box cover (2 screws).
 4. Disconnect the blower wire harness from the ignition control board.
 5. Pull the tubing from the hose barb on the blower housing.
 6. Remove the air inlet screen from the blower (4 screws).
 7. Remove the blower from the air box cover (3 screws).
 8. Slip the blower from beneath the securing flange.
 9. Reverse steps 1 – 8 to install the new blower.
- Be sure the blower outlet gasket is in place before proceeding.



BYPASS SERVICE CARTRIDGE:

1. Turn pump, main gas valve, and heater power off.
2. Remove drain plug and drain water out of heat exchanger.
3. Remove 6 screws and remove the upper plastic heater side panel, to allow access to the header.
4. Remove cartridge retaining nut from end of header. See Figure 50.
5. Slide out the bypass cartridge from the end of the header (see Figure 50).
6. Check the function of the bypass valve to ensure the valve flaps rotate smoothly on the shaft, and the spring fully closes the valve.
7. Apply silicone o-ring grease (Hayward Jack’s 327 Multilube P/N SP032712, or equivalent) on o-ring seals on new bypass cartridge before inserting into the header.
8. Insert bypass cartridge into header with the arrow on the end of the cartridge pointing up.
9. Re-install cartridge retaining nut. Nut should be tightened hand-tight only.
DO NOT OVER-TIGHTEN.
10. Re-install upper plastic heater side panel.

USE ONLY HAYWARD GENUINE REPLACEMENT PARTS

Figure 50: Components of water header and bypass valve

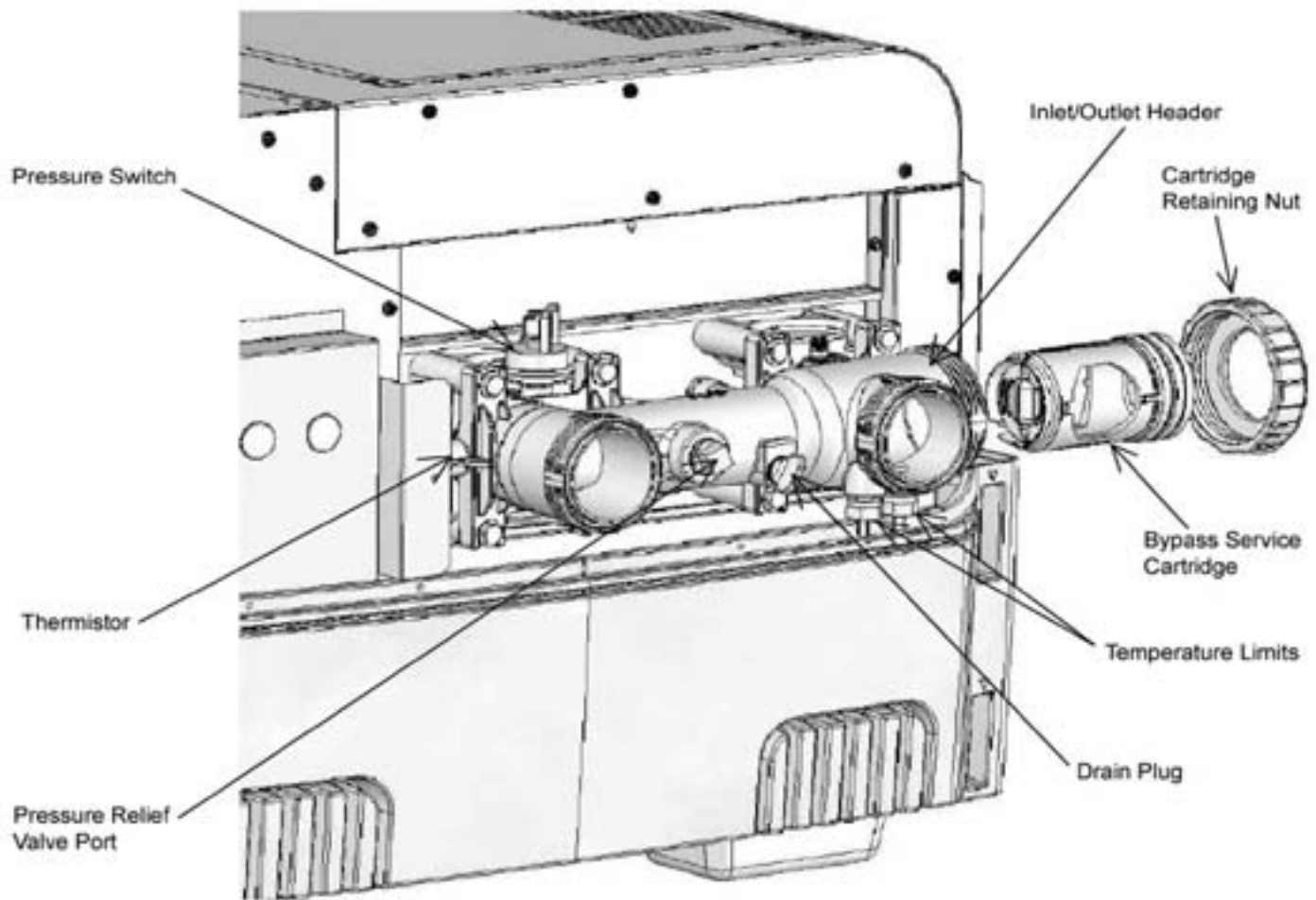


Figure 50
Components of Inlet/Outlet Header and Bypass Valve
(note upper plastic heater side panel is removed)

USE ONLY HAYWARD GENUINE REPLACEMENT PARTS

GENERAL:

⚠ ATTENTION: These instructions are intended for the use of qualified personnel trained and experienced in the installation and servicing of this type of heating equipment and its related system components. Some states may require installation and service personnel to be licensed. Persons not qualified should not attempt to repair this equipment according to these instructions. These instructions and procedures are not for the use of “do-it-yourself” consumers.



⚠ WARNING: BURN HAZARD The operation of the heater with the pump shut off could cause heater overheating and fire. Never operate heater with the pump shut off.



⚠ ATTENTION: As a preliminary check, make sure that all wire connections are clean and tight and that all wiring conforms to the wiring diagram.

AUTOMATIC RESET TIME:

The heater will automatically reset when an error condition is corrected and resume operation as detailed in the table below. The heater can be manually reset using the keypad by cycling the MODE button through “STANDBY” and back to the original operating mode (“POOL” or “SPA”).

ERROR CODES:

See Figure 52 for an error code chart.

TROUBLESHOOTING:

See Figure 53 for troubleshooting guide.

SUPPLY WIRING:

If the heater is connected to the line side of the circuit it will be powered at all times. In this situation, when the pump shuts down the heater will display a fault code of “LO”. If there is a call for heat and the pump then restarts there will be a 2-minute delay for the heater to fire. After the pump has been running for at least 2 minutes there is no delay for heater operation.

Wiring the heater to the load side of the timer or controller will not result in a 2-minute delay if the pump primes quickly enough to activate the heater’s water pressure switch. If the pump is slow to prime the heater may display an “LO” fault code and will take 2 minutes to automatically restart. If the pump has primed, this wait can be avoided by manually clearing the error code via the keypad by changing the mode through the “STANDBY” setting and returning to the initial setting (“SPA” or “POOL”).

When a heater is wired to the line side of the power circuit (continuous power) the blower will not operate when the pump is cycled via a time clock or other switch method.

INTERNAL WIRING:

If the heater display is blank after the electrical has been installed see Figures 43 and 44 to determine the cause. The ribbon cable between the display board and the ignition control board is polarized and cannot be inserted upside down if it was removed when electrical was done.

FUSE SPECIFICATIONS:

The fuse designations are printed on the ignition board and the control board. See Figure 26 for board locations. Fuses are available as common hardware items or may be purchased from Hayward in a service parts kit. The fuse specifications are:

- F1 fuse (low voltage): 3A blade style fast-acting automotive fuse, type 257
- FC1 & FC2 (transformer primary): 3A slo-blo fuse, type C520 or 2AG
- FC3 (transformer secondary) fuse: 1.5A slo-blo, type C520 or 2AG
- FC4 (transformer secondary) fuse: 2.5A slo-blo, type C520 or 2AG



Figure 52: **ERROR CODES**

| Code | Description | Information |
|------|--|---|
| bD | Internal fault/power-up error | On initial trial for ignition. Automatic reset is immediate once the gas valve relay check results are acceptable. |
| bD | Gas valve sensed as "ON" error | If valve is open when it should be closed the heater will shut down and go into lockout. Blower will operate until error condition is corrected. Automatic restart 2 minutes after error is corrected. |
| bD | Gas valve sensed as "OFF" error | If valve is closed but flame is sensed the blower will run for 5 s then start a new ignition sequence. If error occurs 10 times during a call for heat the control will go into lockout. Automatic reset is 60 minutes. |
| bD | Data retrieval error | If control input data is corrupted the heater will shut down and go into lockout. |
| HF | Flame present with gas valve "OFF" error | If flame is sensed with the gas valve off the control will go into lockout. The blower will run until error condition is corrected. When corrected, control will run blower for 5 s then automatically restart after 2 minutes. |
| PF | Electrical supply wiring error | This code will display if 120V polarity is reversed, low voltage is detected, or if the ground path is not sufficient. Reset is immediate after error is corrected. |
| AO | Blower vacuum switch open error | If the blower prover switch does not close after the blower starts the control will stop the ignition trial go into lockout. The blower will continue to run. Automatic reset is immediate after the switch closes. |
| AO | Blower vacuum switch open when expected closed error | If the blower prover switch opens unexpectedly during operation the control will shut down and attempt to re-light. If the switch does not close after the blower starts the control will go into lockout with the blower running. Automatic reset is immediate after error is corrected. |
| AO | Blower vacuum switch open during post-purge error | If the blower prover switch opens during the postpurge cycle (heater is not firing) the control will display the error code. The post-purge cycle will be completed once the blower prover switch closes. |
| AC | Blower vacuum switch closed when expected open error | If the blower prover switch is closed before blower start-up the control will not start the blower. Automatic reset is immediate when the switch opens. |
| IO | Igniter open error | If the control is not in lockout and senses that the igniter circuit is open when the blower is running the control will turn off the blower and go into lockout. Automatic restart 2 min after error is corrected. |
| SF | Thermistor error | An excessive temperature difference between the two thermistors (5 °F or more) or an "out of bounds" condition on both sensors (less than 10°F or greater than 180°F) will result in the error code. Automatic restart is 2 minutes after the error is corrected. |

USE ONLY HAYWARD GENUINE REPLACEMENT PARTS

Figure 52: **ERROR CODES** (continued)

| Code | Description | Information |
|------|-----------------------------------|--|
| HS | Excessive water temperature error | If water temperature exceeds 105°F the heater will shut down and go into lock-out. Automatic restart is 2 minutes after water temp. drops below 105°F. |
| HE | Rapid water temperature rise | If water temperature rises too rapidly the heater will shut down and go into lock-out. Automatic restart is after 2 minutes. After the third occurrence in the same call for heat the heater will lock out. |
| Sb | Keypad button stuck closed error | If one of the keypad buttons is closed (or pressed) for more than 30 s the error code will be displayed but the control will continue to function. The error code will be cleared when the condition is corrected. |
| IF | Ignition failure error | If the control exceeds the maximum number of ignition retries or recycles the heater will shut down and go into lockout. Automatic reset is 60 minutes. |
| CE | Communication error | If communication between the ignition board and the display board is not established within 3 s of power-up an error will be displayed. After communication is established, if it is lost for 30 s, the error will be displayed. The error code will be cleared upon a valid data exchange between boards. |
| LO | Limit string open error | If the limit string opens the heater shuts down and goes into lockout. Automatic restart is 2 minutes after the error condition is corrected and the limit string closes. See below for more detail. |
| EE | EEPROM ERROR | An error was detected in the ignition control circuit board. |

USE ONLY HAYWARD GENUINE REPLACEMENT PARTS

Figure 53: TROUBLESHOOTING

| Code | Fault | Diagnosis Step | Remedy |
|------|----------------------------|--|---|
| None | Heater will not power up. | 1. Check for Low & High Voltage Output from Fuse Board | Disconnect plug from P5 connector from Fuse Board. Measure for 24VAC between pins of receptacle on Fuse Board. Reconnect plug. Disconnect plug from P6 of Fuse Board. Measure for 120VAC between pin 3 and 5 of receptacle on Fuse Board. Reconnect plug. If OK, proceed to section titled "Low voltage circuit fault". Otherwise, proceed to step 2. |
| | | 2. Ensure field power supply to heater is turned on. | Measure for field supply voltage across terminals of TB1 terminal block on Fuse Board. If OK, proceed to step 3 |
| | | 3. Check for faulty Fuse Board wiring. | Inspect Fuse Board wiring. Ensure all plugs are securely fastened to Fuse Board. If OK, proceed to step 4. |
| | | 4. Verify that FC1 and FC2 Fuses on Fuse Board are not open. | Remove FC1 and FC2 fuses from fuseholder. Measure continuity across fuse. If fuses are open, proceed to section titled "Open FC1 and/or FC2 Fuses". If fuses are OK, reinstall them and proceed to step 5. |
| | | 5. Verify that 240vac Voltage Selector Plug is not installed with a 120vac field power supply | Check that proper Voltage Selector Plug is installed in Fuse Board. If OK, proceed to step 6 |
| | | 6. Check for defective Transformer. | Disconnect plug from P4 connector from Fuse Board. Measure for 24VAC between pins 1 & 2 of plug of Transformer and 120VAC between pins 4 & 6. If 24VAC or 120VAC is not present, replace Transformer. Otherwise, proceed to step 7. |
| | | 7. Fuse Board is defective | Replace Fuse Board. |
| None | Low voltage circuit fault. | 1. Check for Low Voltage Output from Fuse Board | Disconnect plug from P5 connector from Fuse Board. Measure for 24VAC across pins. Reconnect plug. If OK, proceed to step 2. Otherwise, proceed to step 5. |
| | | 2. Check for faulty Control Module wiring. | Inspect Control Module wiring. Ensure all plugs are securely fastened to Control Module. If OK, proceed to step 3. |
| | | 3. Verify low voltage input to Control Module. | Verify 24VAC across R and C terminals on Control Module. If not OK, replace harness. If OK, proceed to step 4. |
| | | 4. Verify that F1 Fuse on Control Board is not open. | Remove F1 fuse from fuseholder. Measure continuity across fuse. If OK, replace Control Module. If fuse is open, proceed to section titled "Open FC3 or FC1 Fuses". |
| | | 5. Verify that FC3 on Fuse Board is not open | Remove FC3 fuse from fuseholder. Measure continuity across fuse. If fuse is open, proceed to section titled "Open FC3 or FC1 Fuses". If OK, reinstall fuse and proceed to step 6. |
| | | 6. Check for defective Transformer. | Disconnect plug from P4 connector from Fuse Board. Measure for 24VAC between pins 1 & 2 of plug from transformer. If 24VAC is not present, replace Transformer. Otherwise, proceed to step 7. |
| | | 7. Fuse Board is defective | Replace Fuse Board |
| None | Open FC1 and/or FC2 Fuses. | 1. Verify that 120VAC Voltage Selector Plug is not installed with a 240VAC field power supply. | Check that proper Voltage Selector Plug is installed. If OK, proceed to step 2. If 120VAC plug is installed and field supply voltage is 240VAC, FC1 and FC2 fuses will have to be opened. Install the correct Voltage Selector Plug and new FC1 and FC2 fuses. |
| | | 2. Check for faulty Transformer wiring. | Inspect Transformer wiring. Ensure insulation on wiring is not worn. If OK, proceed to step 3. |
| | | 3. Defective Transformer | Replace Transformer. |

Figure 53: TROUBLESHOOTING

| Code | Fault | Diagnosis Step | Remedy |
|------|---|--|--|
| None | Open FC3 and/or F1 Fuses | 1. Check for faulty Gas Valve wiring. | Inspect Gas Valve wiring. Ensure insulation on wiring is not worn. If OK, proceed to step 2. |
| | | 2. Verify that Gas Valve is not defective. | Measure for resistance across Gas Valve terminals and between each terminal and ground. If short exists, replace Gas Valve. If OK, proceed to step 3. |
| | | 3. Check for faulty Control Module wiring. | Inspect Control Module wiring. Ensure insulation on wiring is not worn. If OK proceed to step 4. |
| | | 4. Control Module is defective. | Replace Control Module. |
| None | Open FC4 Fuse. | 1. Check for faulty Igniter wiring. | Inspect Igniter wiring. Ensure insulation on wiring is not worn. If OK, proceed to step 2. |
| | | 2. Check for faulty Blower wiring. | Inspect Blower wiring. Ensure insulation on wiring is not worn. If OK, proceed to step 3. |
| | | 3. Check for defective Igniter. | Disconnect Igniter plug from Control Module. Measure resistance across Igniter. Resistance should be 10.9-19.7 ohms at 77°F. If out of this range, replace igniter. If OK, proceed to step 4 |
| | | 4. Check for defective Blower. | Disconnect Blower plug from Control Module. Measure resistance across Blower windings. Winding resistance across lead should be in the following range: Red-to-White: 8 to 9 ohms. If measured values vary substantially from these values, blower is defective. Replace. Otherwise proceed to step 5. |
| | | 5. Control Module is defective. | Replace Control Module. |
| bD | Bad Board or Secondary High Voltage Fault | 1. Verify that FC4 Fuse on Fuse Board is not open. | Remove FC from fuseholder. Measure continuity across fuse. If OK, reinstall fuse and proceed to step 2. If Fuse is open, proceed to section titled "Open FC4 Fuse". |
| | | 2. Verify high voltage output from Fuse Board. | Disconnect plug from P6 connector of Fuse Board. Measure for 120VAC across pins 3 and 5 of P6 receptacle on Fuse Board. If OK, reconnect plug and proceed to step 3. If not OK, go to step 4. |
| | | 3. Check for defective Harness. | Disconnect plug from E10 connector of Control Module. Measure for 120VAC across pins 1 and 3 of Plug on Harness. If OK, replace Control Module. If not OK, replace Harness. |
| | | 4. Check for defective Transformer. | Disconnect plug from P4 connector of Fuse Board. Measure for 120VAC between pins 4 and 6 of plug from Transformer. If OK, proceed to step 5. If not OK, replace Transformer. |
| | | 5. Fuse Board is defective | Replace Fuse Board. |
| EE | Bad Board | 1. Defective Control Module | Replace Control Module. |
| CE | Communication Error between Control Module and Display Interface Assembly | 1. Disconnect and then reconnect power to heater. | |
| | | 2. Check for faulty wiring or connection. | Inspect Display Interface Wiring. Ensure Display Interface Plug is securely attached to Control Module. If OK, proceed to step 2. |
| | | 3. Control Module and/or Display Interface Assembly are defective. | Replace Control Module and/or Display Interface Assembly. |
| IO | Igniter Failure | 1. Check for faulty wiring or connection. | Inspect Igniter wiring. Ensure Igniter Plug is securely attached to Control Module. If OK, proceed to step 2. |
| | | 2. Igniter is defective | Replace Igniter. |
| Sb | Keypad Failure | 1. Keypad is defective | Replace Display Interface Assembly. |

Figure 53: TROUBLESHOOTING

| Code | Fault | Diagnosis Step | Remedy |
|------|--|--|--|
| SF | Temperature sensor input failure | 1. Check for faulty wiring or connection. | Inspect sensor wiring. Ensure sensor is plugged into back of control module. If OK, proceed to step 2. |
| | | 2. Sensor is defective | Replace temperature sensor. |
| HS | Maximum return water temperature exceeded. | 1. Pool water temperature exceeds 108°F. | Verify set point setting of remote thermostat is below 108°F. If set point setting of remote thermostat is OK, or if heater is not configured for remote thermostat, proceed to step 2. |
| | | 2. Verify that the water flow is adequate | Verify that water flow to heater is above minimum required (25 GPM for H250IDL, & 40 GPM for H350IDL & H400IDL). |
| HF | Flame Present with Gas Valve not Energized | 1. Gas Valve is defective | Replace Gas Valve |
| bO | Bypass Operation | 1. Check to see if Control Module is in Bypass Operation | This is normal display when heater is being controlled by a remote thermostat. No service is required. If heater is not being controlled by remote thermostat, change setting by using the MODE key to put the heater into STANDBY. Press and hold the DOWN key and then press and hold the MODE key. Hold down both keys for 3 seconds until the indication "bO" is removed from the display. |
| LO | Water pressure switch fault | 1. Verify that the pump is running. | This is a normal display when the pump is off. Turn pump on. LO code should clear. If LO does not clear, proceed to step 2. |
| | | 2. Verify that water flow is adequate | Verify that water flow rate to heater is above minimum required (20 GPM for H150FD and H200FD, 25 GPM for H250FD and H300FD, 30 GPM for H350FD and H400FD). If OK, proceed to step 3 |
| | | 3. Check for faulty wiring or connection. | Inspect water pressure switch wiring. Ensure wire harness terminals are securely fastened to spade terminals on water pressure switch. If OK, proceed to step 4. |
| | | 4. Verify state of water pressure switch contacts. | Remove wire leads from water pressure switch and jumper leads. Operate heater. Measure continuity across water pressure switch. If open, proceed to step 5. If closed, LO code is not caused by water pressure switch fault. Remove jumper from wire leads and reconnect wire leads to water pressure switch. |
| | | 5. Ensure that low pump pressure does not exist. | Clean filter or clear blockages. Check position of valves in plumbing system. If OK proceed to step 6. |
| | | 6. Check for correct water pressure switch setting. | Adjust water pressure switch setting as shown on page 33 of Installation Manual (only if heater is above or below water level). If LO does not clear, proceed to step 7. |
| | | 7. Water pressure switch is defective | Replace water pressure switch. |
| | Vent pressure switch fault (applies only if indoor installation) | 1. Check for faulty wiring or connection. | Inspect vent pressure switch wiring. Ensure wire harness terminals are securely fastened to spade terminals on vent pressure switch. If OK, proceed to step 2. |
| | | 2. Verify state of vent pressure contacts. | Remove wire leads from vent pressure switch and jumper leads. Operate heater. Measure continuity across vent pressure switch. If closed, LO code is not caused by vent pressure switch fault. If open, proceed to step 3. Remove jumper from wire leads and reconnect wire leads to vent pressure switch. |
| | | 3. Check for restricted or blocked flue. | Ensure that flue is not blocked or restricted. See indoor vent sizing requirements in installation manual. If OK, proceed to step 4. |
| | | 4. Vent pressure switch is defective. | Replace vent pressure switch. |

Figure 53: TROUBLESHOOTING

| Code | Fault | Diagnosis Step | Remedy |
|--|--|--|---|
| LO | Temperature limit switch fault | 1. Check for faulty wiring or connection. | Inspect temperature limit switch wiring. Ensure wire harness terminals are securely fastened to spade terminals on temperature limit switches. If OK, proceed to step 2. |
| LO | Temperature limit switch fault (cont'd) | 2. Verify state of temperature limits' contacts | Remove wire leads from limit switch and jumper leads. Operate heater. Measure continuity across limit switches. If closed, LO code is not caused by temperature limit switch fault. If open, proceed to step 3. Remove jumper from leads and reconnect leads to temperature limits. |
| | | 3. Verify that water flow is adequate | Verify that water flow rate to heater is above the minimum required (20 GPM for H150FD and H200FD, 25 GPM for H250FD and H300FD, 30 GPM for H350FD and H400FD). If OK, proceed to step 4. |
| | | 4. Temperature limit switch is defective. | Replace temperature limit switch. |
| IF | Ignition Failure | 1. Ensure gas supply shutoff valves are open. | Ensure that main gas shutoff installed adjacent to heater is open. Ensure that knob on gas valve inside unit is in "on" position. If OK, proceed to step 2. |
| | | 2. Check for low gas supply pressure | Ensure inlet gas supply pressure is between the minimum and maximum values indicated on rating plate. If OK, proceed to step 3. |
| | | 3. Check for faulty flame sense wiring or connection. | Inspect flame sense wiring. Ensure wire harness terminals are securely fastened to flame sense and to control module. If OK, proceed to step 4. |
| | | 4. Check for faulty gas valve wiring or connection | Inspect gas valve wiring. Ensure wire harness terminals are securely fastened to spade terminals on gas valve. If OK, proceed to step 5. |
| | | 5. Check for gas valve failure or gas valve relay failure. | 1. Measure voltage across gas valve during trial for ignition. If 24VAC is present and gas valve does not open, gas valve is defective. Replace gas valve. |
| | | | 2. If 24VAC is not present, gas valve relay on control module is defective. Replace control module. |
| 6. Check for blockages in gas orifices and burners | Inspect gas orifices for blockages which could prevent gas flow. Remove and inspect burners for blockages. | | |
| AC | Blower vacuum switch closed. | 1. Check for defective blower on relay or control module. | Disconnect Blower plug from Control Module. With heater off, measure continuity across pins 1 and 2 of receptacle on Control Module. If closed, control module relay is defective. Replace control module. If OK, proceed to step 2. |
| | | 2. Vacuum switch is defective. | Replace blower vacuum switch. |
| AO | Blower vacuum switch open. | 1. Check for faulty vacuum switch tubing | Check tubing and replace if necessary. If OK, proceed to step 2. |
| | | 2. Check for faulty vacuum switch wiring or connection. | Inspect vacuum switch wiring. Ensure wire harness terminals are securely fastened to spade terminals on vacuum switch. If OK, proceed to step 3. |
| | | 3. Check for faulty blower wiring or connection | Inspect blower wiring. Ensure plug on blower is securely fastened to control module. If OK, proceed to step 4. |
| | | 4. Check for defective vacuum switch | Disconnect Blower plug from Control Module. Measure resistance across Blower windings. Winding resistance across lead should be in the following range; Red-to-White: 8 to 9 ohms. If measured values vary substantially from these values, Blower is defective. Replace. If OK, proceed to step 5. |
| | | 5. Check for defective blower relay. | Disconnect Blower plug from Control Module. Place heater in Pool or Spa Mode. Lower set point temperature to generate call for heat. During pre-purge period, measure for 120VAC across pins 1 and 2. If 120VAC is not present, control module relay is defective. Replace control module. If OK, proceed to step 6 |
| | | 6. Vacuum switch is defective | Replace blower vacuum switch. |

Limited heater warranty:

TERMS AND COVERAGE: We warrant our pool heater to be free from defects in workmanship and materials under normal use and service. Pursuant to this warranty and subject to the Conditions and Exceptions indicated below:

1. We will replace (cost of freight, installation, cost of fuel, and service labor at user's expense) with the prevailing comparable model, or, at our option, repair any pool/spa heater that leaks under normal use and service within one year from the date of original installation for all users.
2. In addition, we will replace (cost of freight, installation, cost of fuel, and service labor at user's expense) or, at our option, repair any part or parts of the pool/spa heater which malfunctions under normal use and service within one year from the date of original installation for all users.

LIMITATION ON IMPLIED WARRANTIES: WE ARE NOT LIABLE FOR ANY CONSEQUENTIAL DAMAGES FOR BREACH OF ANY WRITTEN OR IMPLIED WARRANTY OF THIS PRODUCT. Implied warranties, including the WARRANTY of MERCHANTABILITY and all other implied warranties that may arise from course of dealing or usage of trade imposed on the sale of this heater under laws of the state are limited in duration to the term of one (1) year for all users. There are no warranties which extend beyond the description on the face hereof. We shall not in any event be held liable for any special, indirect, or consequential damages.

EXPENSE OF DELIVERY AND INSTALLATION:

Each pool heater or replacement part to be furnished under this warranty shall be furnished at our nearest distribution center. We shall not pay, nor be responsible for shipping or delivery charges to the place of installation, nor for labor charges or other costs of removal or installation. Every defective heater or part replaced under this warranty shall become our property, and as such, must be returned to our distribution center with transportation charges paid by the user. Any replacement pool heater furnished under this warranty shall remain in warranty only for the unexpired portion of this warranty.

CONDITIONS AND EXCEPTIONS:

This warranty applies only to the pool/spa at its original place of installation and only for the original owner. It does not apply if the pool heater is installed in violation of any applicable code or ordinance, or is not installed, operated and maintained in accordance with our instructions, or is misused, damaged by accident, weather, act of God, freezing, water void and/or excess pressure, altered or disconnected. It does not apply with respect to:

1. A heater not equipped with Certified C.S.A. limit controls or equivalent pressure relief valve.
2. A heater operated with settings in excess of, and/or with fuel not conforming to those shown on rating plate;
3. A heater on which the serial numbers have been altered, defaced, or removed.
4. Leaks arising from defective installation;
5. Production of noise, odors, or discolored (rusty, etc.) water;
6. Leakage substantially contributed to by sediment, lime precipitate and/or higher than normal dissolved solids (pH above 7.8) in the tank, copper tubes, or water ways;
7. Leakage caused substantially contributed to by corrosive elements in the atmosphere (such as the storage of chlorine or other chemicals);
8. Leakage caused substantially or contributed to by corrosive pool water in an acid condition (pH below 7.2);
9. Damage caused substantially or contributed to by an external source of energy;
10. A pool/spa heater is a water containing device. Leakage of water from this device can be expected at some time due to malfunction or the limitations

USE ONLY HAYWARD GENUINE REPLACEMENT PARTS

of the service life of various components. Do not install this product where such leakage can cause damage. MANUFACTURER IS NOT RESPONSIBLE OR LIABLE FOR ANY COSTS INCURRED BY SUCH DAMAGE.

IN NO CASE ARE WE TO BE HELD LIABLE FOR DAMAGE TO SURROUNDING AREA OR PROPERTY CAUSED BY LEAKAGE OR MALFUNCTION.

HOW TO CLAIM UNDER THIS WARRANTY:

The original owner, upon discovering the defect, must present the attached completed warranty claim card with proof of purchase either to the dealer or notify the Company in writing at either address:

HAYWARD POOL PRODUCTS, INC.
620 DIVISION ST.
ELIZABETH, NJ 07207

OR

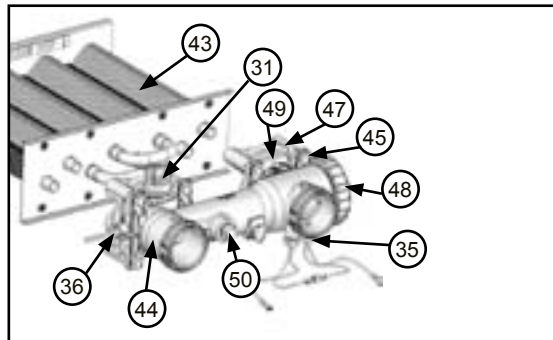
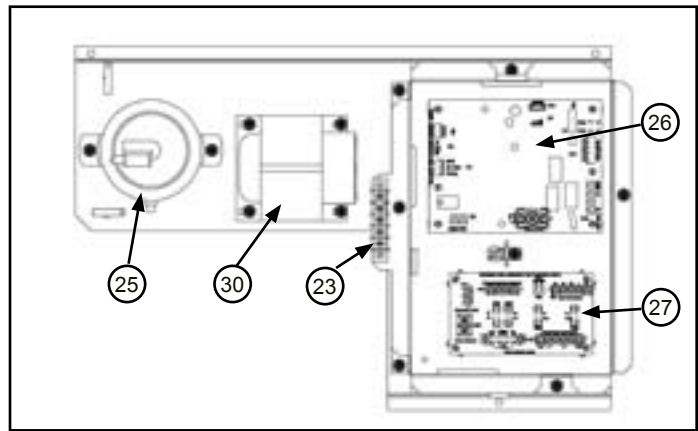
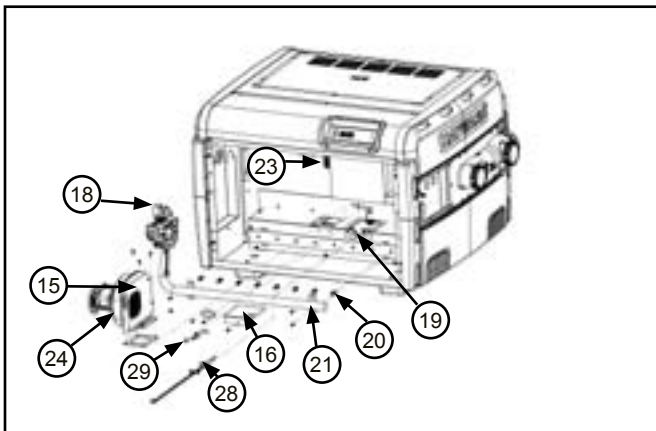
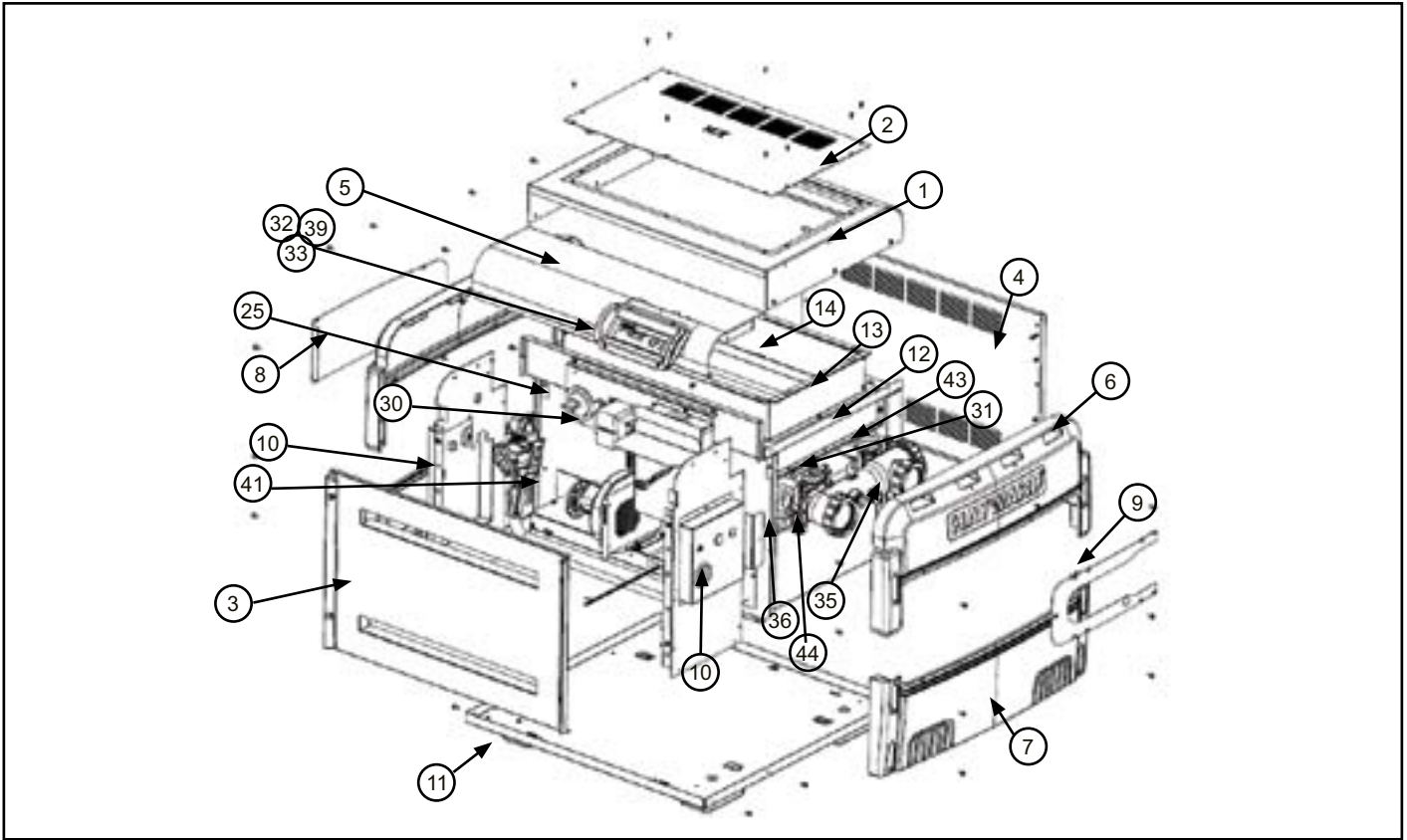
HAYWARD POOL PRODUCTS, INC.
2875 POMONA BOULEVARD
POMONA, CA 91768

Upon receipt of such notification we shall decide whether to repair such parts or replace any pool heater, reserving at all times the right to inspect in order to verify any claimed defect. We also reserve the right to have our representatives make any inspections, repairs, or to furnish replacements. This warranty is intended as a legally binding obligation of the Company, enforceable in the courts. This warranty may give you specific legal rights which may vary from state to state.

LIMITATION ON LIABILITY:

All intended representations have been expressly set forth in this document. This warranty may not be extended by oral or any other additional representations, written sales information, drawings, or other malfunction, is strictly limited to repair or replacement of the defective heater or part, as provided herein and the Company is not responsible hereunder for incidental or consequential or incidental costs or damages. The company neither assumes, nor authorizes any person or firm to assume for us, any further liability or obligation in connection with the sale, installation, use, maintenance, or existence of the heater. SAFETY WARNING: Pool heaters are heat producing appliances and to avoid damage or injury in the event of possible overheating of the outer jacket (1) no materials should be stored against the jacket and (2) care should be taken to avoid unnecessary contact (especially by children) with the jacket. When lighting a gas heater, the lighting instructions must be followed exactly to prevent "flashback" of excess gas in the heater. Electronic ignition heaters and electric heaters must have the power shut off when making adjustments to, servicing, or coming into contact with the heater. UNDER NO CIRCUMSTANCES SHOULD FLAMMABLE MATERIALS, SUCH AS GASOLINE OR PAINT THINNERS, BE USED OR STORED IN THE VICINITY OF THE HEATER OR IN ANY LOCATION FROM WHICH FUMES COULD REACH THE HEATER. For your comfort, enjoyment and safety, please read the enclosed operating instructions carefully.

USE ONLY HAYWARD GENUINE REPLACEMENT PARTS



| ITEM | PART NO. | DESCRIPTION |
|-------------|--------------|--------------------------------|
| 1 | FDXLJKT1150 | JACKET TOP & FLUE COVER H150FD |
| | FDXLJKT1200 | JACKET TOP & FLUE COVER H200FD |
| | FDXLJKT1250 | JACKET TOP & FLUE COVER H250FD |
| | FDXLJKT1300 | JACKET TOP & FLUE COVER H300FD |
| | FDXLJKT1350 | JACKET TOP & FLUE COVER H350FD |
| | FDXLJKT1400 | JACKET TOP & FLUE COVER H400FD |
| | 2 | FDXLTFC1150 |
| FDXLTFC1200 | | TOP/FLUE COVER - H200FD |
| FDXLTFC1250 | | TOP/FLUE COVER - H250FD |
| FDXLTFC1300 | | TOP/FLUE COVER - H300FD |
| FDXLTFC1350 | | TOP/FLUE COVER - H350FD |
| FDXLTFC1400 | | TOP/FLUE COVER - H400FD |
| 3 | | FDXLFAD1150 |
| | FDXLFAD1200 | FRONT ACCESS DOOR ASM - H200FD |
| | FDXLFAD1250 | FRONT ACCESS DOOR ASM - H250FD |
| | FDXLFAD1300 | FRONT ACCESS DOOR ASM - H300FD |
| | FDXLFAD1350 | FRONT ACCESS DOOR ASM - H350FD |
| | FDXLFAD1400 | FRONT ACCESS DOOR ASM - H400FD |
| | 4 | FDXLRAD1150 |
| FDXLRAD1200 | | REAR ACCESS DOOR ASM - H200FD |
| FDXLRAD1250 | | REAR ACCESS DOOR ASM - H250FD |
| FDXLRAD1300 | | REAR ACCESS DOOR ASM - H300FD |
| FDXLRAD1350 | | REAR ACCESS DOOR ASM - H350FD |
| FDXLRAD1400 | | REAR ACCESS DOOR ASM - H400FD |
| 5 | | FDXLTFP1150 |
| | FDXLTFP1200 | TOP & FRONT PANEL - H200FD |
| | FDXLTFP1250 | TOP & FRONT PANEL - H250FD |
| | FDXLTFP1300 | TOP & FRONT PANEL - H300FD |
| | FDXLTFP1350 | TOP & FRONT PANEL - H350FD |
| | FDXLTFP1400 | TOP & FRONT PANEL - H400FD |
| | 6 | FDXLU EC1930 |
| 7 | FDXLLEC1930 | LOWER END CAP - FD |
| 8 | FDXLLTP1930 | LEFT TRIM PANEL - FD |
| 9 | FDXLRTP1930 | RIGHT TRIM PANEL - FD |
| 10 | FDXLLJB1930 | LEFT JUNCTION BOX - FD |
| | FDXLRJB1930 | RIGHT JUNCTION BOX - FD |
| 11 | FDXLPBL1930 | BASE LEG - FD |
| 12 | FDXLFC S1930 | FLUE COLLECTOR SIDE PANEL |
| 13 | FDXLRGK1150 | RAIN GUARD ASM - H150FD |
| | FDXLRGK1200 | RAIN GUARD ASM - H200FD |

USE ONLY HAYWARD GENUINE REPLACEMENT PARTS

| ITEM | PART NO. | DESCRIPTION |
|------|--------------|--|
| | FDXLRGK1250 | RAIN GUARD ASM - H250FD |
| | FDXLRGK1300 | RAIN GUARD ASM - H300FD |
| | FDXLRGK1350 | RAIN GUARD ASM - H350FD |
| | FDXLRGK1400 | RAIN GUARD ASM - H400FD |
| 14 | FDXLHBP1150 | HEAT BARRIER PANEL - H150FD |
| | FDXLHBP1200 | HEAT BARRIER PANEL - H200FD |
| | FDXLHBP1250 | HEAT BARRIER PANEL - H250FD |
| | FDXLHBP1300 | HEAT BARRIER PANEL - H300FD |
| | FDXLHBP1350 | HEAT BARRIER PANEL - H350FD |
| | FDXLHBP1400 | HEAT BARRIER PANEL - H400FD |
| 15 | FDXLBBN1150 | BLOWER INLET BAFFLE - H150FD |
| | FDXLBBN1200 | BLOWER INLET BAFFLE - H200FD |
| | FDXLBBN1250 | BLOWER INLET BAFFLE - H250FD |
| | FDXLBBN1300 | BLOWER INLET BAFFLE - H300FD |
| | FDXLBBN1350 | BLOWER INLET BAFFLE - H350FD |
| | FDXLBBN1400 | BLOWER INLET BAFFLE - H400FD |
| 16 | FDXLIAC1930 | IGNITER ACCESS COVER |
| 18 | FDXLGSV0001 | GAS VALVE NATURAL - FD |
| | FDXLGSV0002 | GAS VALVE PROPANE - FD |
| 19 | FDXLBRN1930 | BURNER (NOT SHOWN) |
| 20 | FDXLBON1930 | BURNER ORIFICE NATURAL FD |
| | FDXLBOP1930 | BURNER ORIFICE PROPANE FD |
| 21 | FDXLMAN1150 | GAS MANIFOLD - H150FD |
| | FDXLMAN1200 | GAS MANIFOLD - H200FD |
| | FDXLMAN1250 | GAS MANIFOLD - H250FD |
| | FDXLMAN1300 | GAS MANIFOLD - H300FD |
| | FDXLMAN1350 | GAS MANIFOLD - H350FD |
| | FDXLMAN1400 | GAS MANIFOLD - H400FD |
| 22 | FDXWHA1930 | WIRING HARNESS COMPLETE - FD (NOT SHOWN) |
| 23 | IDXLTMB1931 | TERMINAL BLOCK - 5 POLE |
| 24 | FDXLBWR1930 | COMBUSTION BLOWER FD |
| 25 | FDXLBVS1930 | BLOWER VACUUM SWITCH |
| 26 | FDXLICB1930 | INTEGRATED CONTROL BOARD - FD |
| 27 | FDXLFWP1930 | FIELD WIRING PANEL - FD |
| 28 | FDXLIGN1930 | IGNITER - FD |
| 29 | IDXLFLS1930 | FLAME SENSOR |
| 30 | IDXL2TRF1930 | TRANSFORMER |
| 31 | FDXLWPS1930 | WATER PRESSURE SWITCH |
| 32 | IDXL2DB1930 | DISPLAY BOARD ONLY - FD & IDL2 |
| 33 | FDXLBKP1930 | BEZEL & KEYPAD ASSEMBLY |

USE ONLY HAYWARD GENUINE REPLACEMENT PARTS

| ITEM | PART NO. | DESCRIPTION |
|------|-------------|--|
| | FDXLBKP1931 | BEZEL & KEYPAD ASSEMBLY - CAL |
| 34 | FDXLFSK1930 | FUSE SERVICE KIT - FD (NOT SHOWN) |
| 35 | FDXLHLI1930 | HIGH LIMIT 135 F |
| 36 | FDXLTER1930 | THERMISTOR |
| 37 | FDXLGSK1930 | GASKET KIT - AIR SIDE FD ALL (NOT SHOWN) |
| | includes: | GASKET, BLOWER MOUNTING |
| | | GASKET, IGNITER COVER |
| | | GASKET, COVER/AIR BOX FRNT - H400FD |
| | | GASKET, COVER/AIR BOX FRNT - H350FD |
| | | GASKET, COVER/AIR BOX FRNT - H300FD |
| | | GASKET, COVER/AIR BOX FRNT - H250FD |
| | | GASKET, COVER/AIR BOX FRNT - H200FD |
| | | GASKET, COVER/AIR BOX FRNT - H150FD |
| | | GASKET, MANIFOLD/AIR BOX - H400FD |
| | | GASKET, MANIFOLD/AIR BOX - H350FD |
| | | GASKET, MANIFOLD/AIR BOX - H300FD |
| | | GASKET, MANIFOLD/AIR BOX - H250FD |
| | | GASKET, MANIFOLD/AIR BOX - H200FD |
| | | GASKET, MANIFOLD/AIR BOX - H150FD |
| 38 | FDXLGSK1931 | GASKET KIT - EXHAUST SIDE FD ALL (NOT SHOWN) |
| | includes: | GASKET, FLUE COLLECTOR SIDE |
| | | GASKET, RAIN GUARD SIDE |
| | | GASKET, RAIN GUARD BOTTOM SIDE |
| | | GASKET, FLUE COLLECTOR TOP - H400FD |
| | | GASKET, FLUE COLLECTOR TOP - H350FD |
| | | GASKET, FLUE COLLECTOR TOP - H300FD |
| | | GASKET, FLUE COLLECTOR TOP - H250FD |
| | | GASKET, FLUE COLLECTOR TOP - H200FD |
| | | GASKET, FLUE COLLECTOR TOP - H150FD |
| | | GASKET, RAIN GUARD FRNT & REAR - H400FD |
| | | GASKET, RAIN GUARD FRNT & REAR - H350FD |
| | | GASKET, RAIN GUARD FRNT & REAR - H300FD |
| | | GASKET, RAIN GUARD FRNT & REAR - H250FD |
| | | GASKET, RAIN GUARD FRNT & REAR - H200FD |
| | | GASKET, RAIN GUARD FRNT & REAR - H150FD |
| | | GASKET, RAIN GUARD BOTTOM FRNT & REAR - H400FD |
| | | GASKET, RAIN GUARD BOTTOM FRNT & REAR - H350FD |
| | | GASKET, RAIN GUARD BOTTOM FRNT & REAR - H300FD |
| | | GASKET, RAIN GUARD BOTTOM FRNT & REAR - H250FD |

USE ONLY HAYWARD GENUINE REPLACEMENT PARTS

| ITEM | PART NO. | DESCRIPTION |
|------|---------------|--|
| | | GASKET, RAIN GUARD BOTTOM FRNT & REAR - H200FD |
| | | GASKET, RAIN GUARD BOTTOM FRNT & REAR - H150FD |
| 39 | FDXLGSK1932 | GASKET, BEZEL/TOP FD |
| 40 | FDXLGSK1933 | INSULATION, RETURN SIDE T-SHT FD |
| 41 | FDXLGSK1934 | GASKET, CC FRONT/AIR BOX FD ALL |
| 42 | FDXLTDK1930 | TIE-DOWN KIT - FD (NOT SHOWN) |
| 43 | FDXLHXA1150 | HEAT EXCHANGER ASM - H150FD |
| | FDXLHXA1200 | HEAT EXCHANGER ASM - H200FD |
| | FDXLHXA1250 | HEAT EXCHANGER ASM - H250FD |
| | FDXLHXA1300 | HEAT EXCHANGER ASM - H300FD |
| | FDXLHXA1350 | HEAT EXCHANGER ASM - H350FD |
| | FDXLHXA1400 | HEAT EXCHANGER ASM - H400FD |
| 44 | FDXLFHA1930 | HEADER ASSEMBLY |
| 45 | FDXLHDW1930 | HEADER HARDWARE KIT |
| 46 | FDXLFOR1930 | HEADER O-RING KIT (NOT SHOWN) |
| 47 | FDXLHMB1930 | HEADER MOUNTING BASE KIT |
| 48 | FDXLBPK1930 | BYPASS CARTRIDGE KIT |
| 49 | FDXLPLG1930 | 1/8" NPT BRASS PLUG |
| 50 | CHXPLG1930 | 3/4" DRAIN PLUG |
| 51 | UHXNEGVT14001 | VENT ADAPTER KIT, H400FD, NEGATIVE-PRESSURE (VERTICAL) |
| | UHXNEGVT13501 | VENT ADAPTER KIT, H350FD, NEGATIVE-PRESSURE (VERTICAL) |
| | UHXNEGVT13001 | VENT ADAPTER KIT, H300FD, NEGATIVE-PRESSURE (VERTICAL) |
| | UHXNEGVT12501 | VENT ADAPTER KIT, H250FD, NEGATIVE-PRESSURE (VERTICAL) |
| | UHXNEGVT12001 | VENT ADAPTER KIT, H200FD, NEGATIVE-PRESSURE (VERTICAL) |
| | UHXNEGVT11501 | VENT ADAPTER KIT, H150FD, NEGATIVE-PRESSURE (VERTICAL) |
| | UHXPOSHZ14001 | VENT ADAPTER KIT, H400FD, POSITIVE-PRESSURE (HORIZONTAL) |
| | UHXPOSHZ13501 | VENT ADAPTER KIT, H350FD, POSITIVE-PRESSURE (HORIZONTAL) |
| | UHXPOSHZ13001 | VENT ADAPTER KIT, H300FD, POSITIVE-PRESSURE (HORIZONTAL) |
| | UHXPOSHZ12501 | VENT ADAPTER KIT, H250FD, POSITIVE-PRESSURE (HORIZONTAL) |
| | UHXPOSHZ12001 | VENT ADAPTER KIT, H200FD, POSITIVE-PRESSURE (HORIZONTAL) |
| | UHXPOSHZ11501 | VENT ADAPTER KIT, H150FD, POSITIVE-PRESSURE (HORIZONTAL) |
| 52 | FDXLFHD1930 | HEADER ONLY |
| 53 | FDXLCRN1930 | HEADER CARTRIDGE RETAINING NUT |
| 54 | SPX4000FG | DRAIN PLUG WITH GASKET |
| 55 | SPX3200UNKIT | UNION NUTS, CONNECTORS, AND GASKETS |
| 56 | FDXLHAK1930 | CONVERSION KIT HIGH ALTITUDE, 2000 FT-10100 FT |
| 57 | FDXLVPS1930 | INDOOR VENT PRESSURE SWITCH, 0-2000 FT |
| 58 | FDXLVPS1931 | INDOOR VENT PRESSURE SWITCH, 2000 FT-10100 FT |

USE ONLY HAYWARD GENUINE REPLACEMENT PARTS



HAYWARD® Pool Products

A Hayward Industries, Inc. Company

Hayward Pool Products, Inc.
620 Division St.
Elizabeth, NJ 07207

Hayward Pool Products, Inc.
2875 Pomona Boulevard
Pomona, CA 91768

Hayward Pool Products, Inc.
2880 Plymouth Drive
Oakville, Ontario L6H 5R4

Hayward S.A.
Zoming de Jumet
B6040 Jumet, Belgium